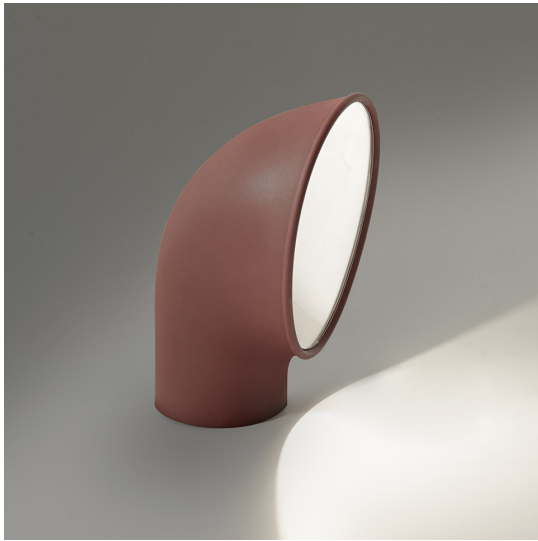
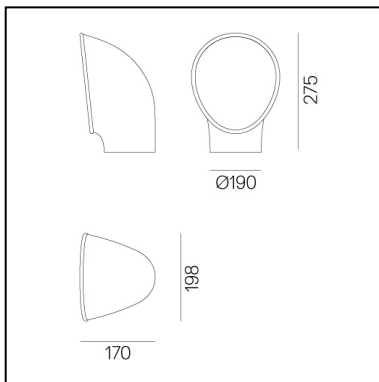


Piroscafo Rust

Ernesto Gismondi



IP65 



LUMINAIRE

- Watt: **14W**
- Delivered lumen output: **1143lm**
- CCT: **3000K**
- Efficiency: **77%**
- Efficacy: **81.64lm/W**
- CRI: **90**

DESCRIPTION

Lighting appliance for ground fixing with radial bidirectional light emission, using monochrome LED light sources. The appliance is made up of a body and a fixing base of EN-AB 47100 die-cast aluminium finished with a 3-stage outdoor treatment: nanotechnologies, anti-oxidizing primer, polyester painting. Equipped with a furukawa reflector Shiny shock-resistant anti-UV polycarbonate screen AISI 316 fixing screws and silicon seals. Sealing degree IP65. Class I Provided with cable and IP67 connector for connection to the mains. Supports cables with 7 to 12 mm diameters. Technical specifications comply with the EN60598-1 norm. CE registration

FEATURES

- Product Code: **T081910**
- Colour: **Rust**
- Installation: **Floor**
- Material: **Aluminum, tempered glass**
- Series: **Architectural Outdoor**
- design by: **Ernesto Gismondi**

DIMENSIONS

- Length: **198 mm**
- Width: **170 mm**
- Height: **275 mm**
- Diameter: **190 mm**

SOURCES INCLUDED

- Category: **Led**
- Number: **1**
- Watt: **14W**
- Color temperature (K): **3000K**