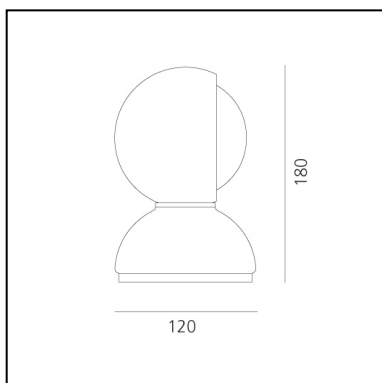


Eclisse PVD Gold

Vico Magistretti



IP20   EAC  



LUMINAIRE

- Watt: **5W**
- Voltage: **220V-240V**
- Delivered lumens output: **170lm**

DESCRIPTION

Eclisse, designed by Vico Magistretti in 1965, won the Compasso d'Oro Award in 1967 and became an ambassador of Italian design worldwide. Eclisse is an avant-garde balance between form and function, design and utility. The concept's foundation lies in its functionality of adjusting the intensity of light through its rotating inner shade that "eclipses" the light source. In fact, with a fixed outer shell and a moveable inner shell the lamp can provide direct or diffuse light. A table lamp, it can also be wall mounted. Painted metal body available in white, red or orange with an on/off switch. Eclisse is part of the permanent collection of the most important design Museums, amongst many the MoMa in New York and the Triennale Design Museum in Milan.

PRODUCT CODE: 0028150A

FEATURES

- Article Code: **0028150A**
- Colour: **Gold**
- Installation: **WallTable**
- Material: **steel, technopolymer**
- Series: **Design Collection, Modern Classic**
- Environment: **Indoor**
- Area contract: **Residential**
- Emission: **Diffused And Direct**
- design by: **Vico Magistretti**

DIMENSIONS

- Height: **cm 18**
- Diameter: **cm 12**
- Base Diameter: **cm 12**
- Impact Resistance: **N/D**
- Glow Wire Test: **850°**

SOURCES NOT INCLUDED

- Category: **LED RETROFIT**
- Number: **1**
- Watt: **5W**
- Socket: **E14**