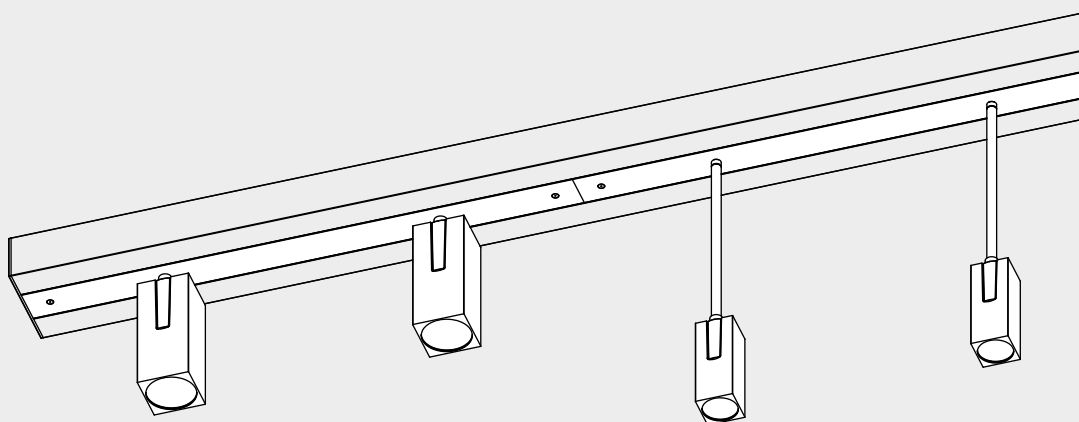


Artemide®

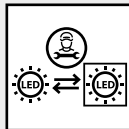
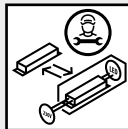
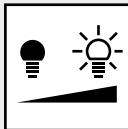
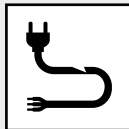
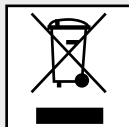
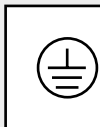
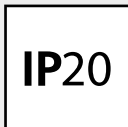
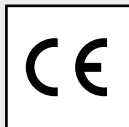
KATÀ MÉTRON SPOTS

design
Mario Cucinella



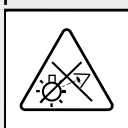
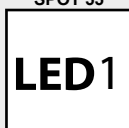


i

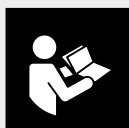
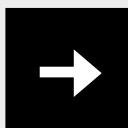
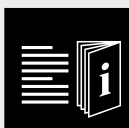
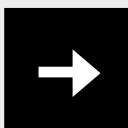


SPOT 55 /
PENDANT
SPOT 55

SPOT 40 /
PENDANT
SPOT 40

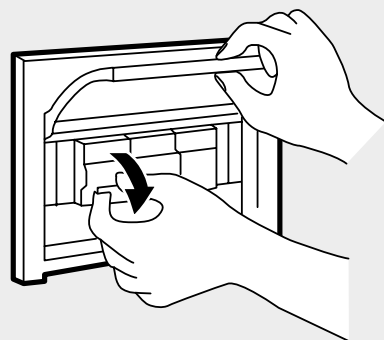
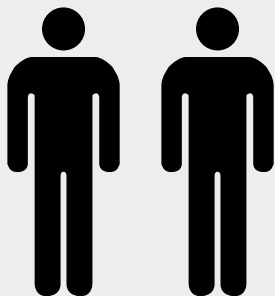


	LED1 from Dthr (m)		
	2700K	3000K	4000K
SP	1,6	1,6	2,15
FL	LED1	LED1	1,75
WF	LED1	LED1	1,75



Artemide App
Quick Starting Guide

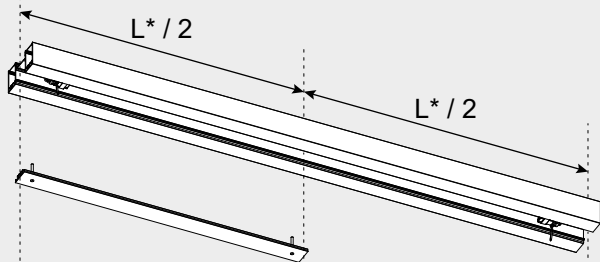
Artemide App
System Interface
Quick Starting Guide



i

Module length	Emission	Number of power unit under same MCB
		B16A
L = 1184 mm	Direct	11
	Direct + Indirect	8

i



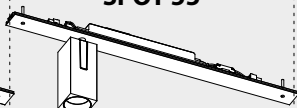
*L = 1184 mm

KZ84004

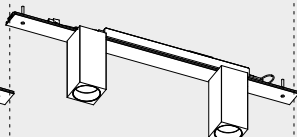
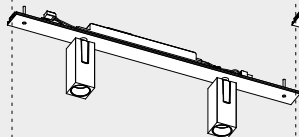
SPOT 40

SPOT 55

SPOT 40 SPOT 55



KZ70XXX KZ30XXX
KZ71XXX KZ31XXX
KZ73XXX KZ33XXX

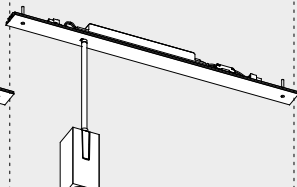
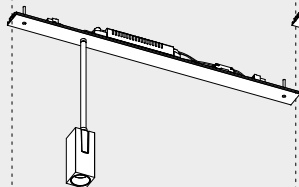


KZ50XXX KZ10XXX
KZ51XXX KZ11XXX
KZ53XXX KZ13XXX

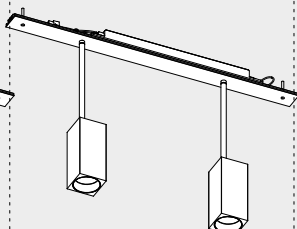
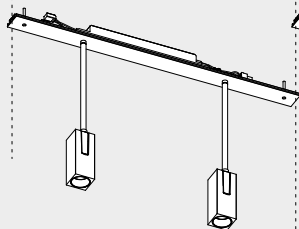
PENDANT SPOT 40

PENDANT SPOT 55

PENDANT SPOT 40 PENDANT SPOT 55



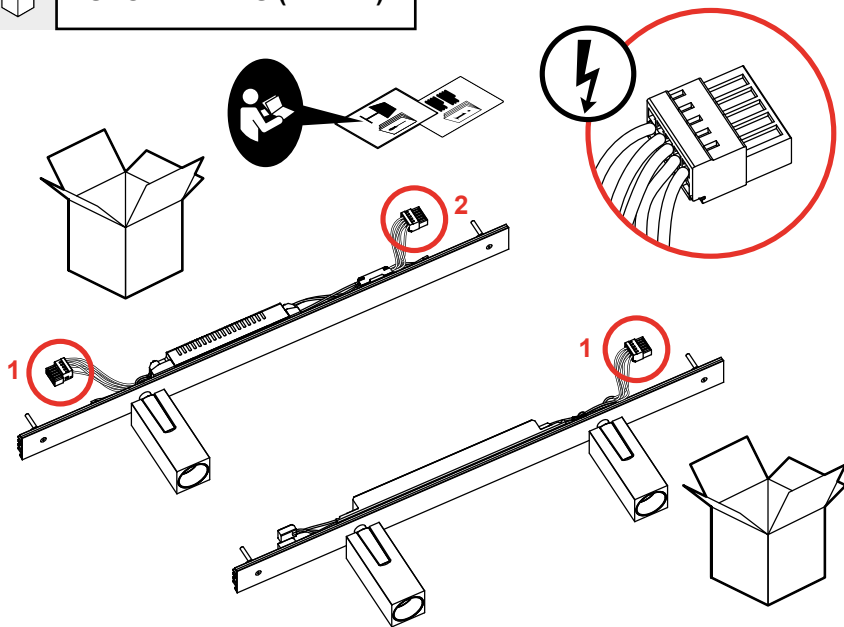
KZ20XXX KZ40XXX
KZ21XXX KZ41XXX
KZ23XXX KZ43XXX



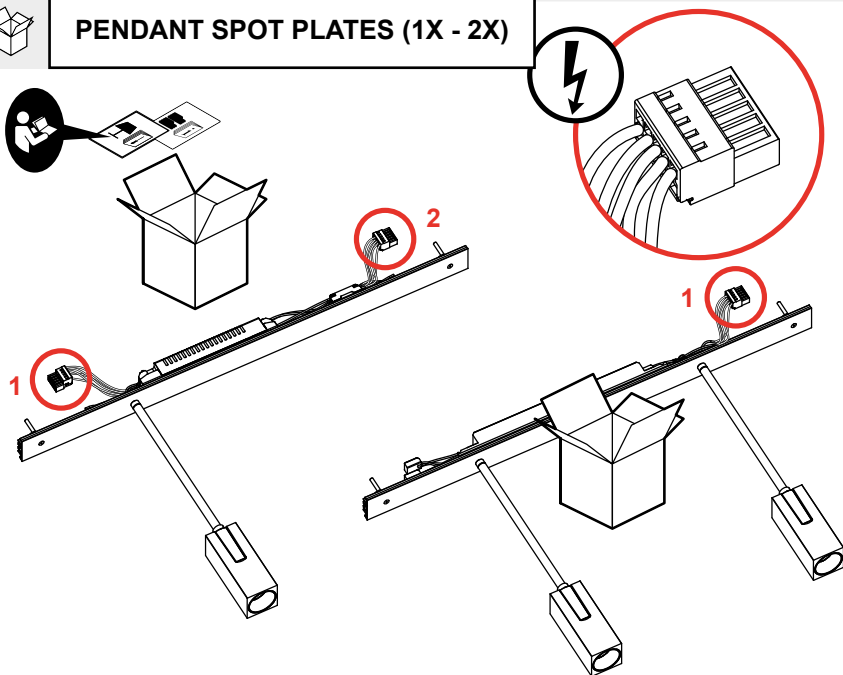
KZ60XXX KZ80XXX
KZ61XXX KZ81XXX
KZ63XXX KZ83XXX



SPOT PLATES (1X - 2X)

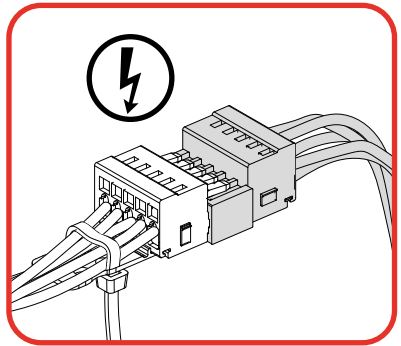
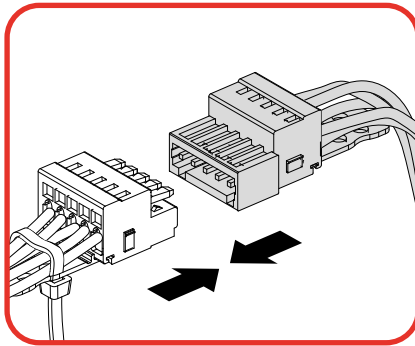
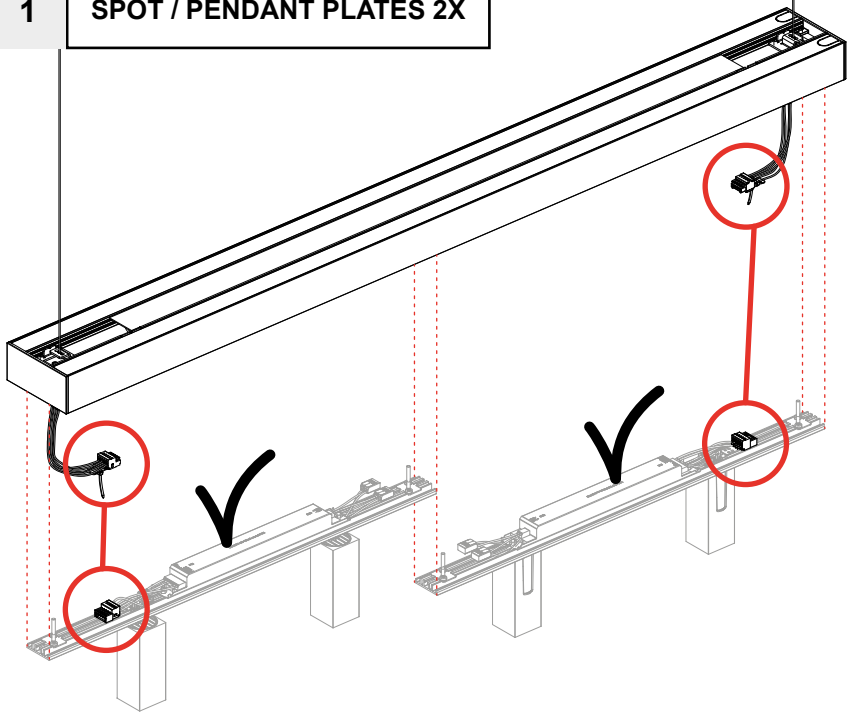


PENDANT SPOT PLATES (1X - 2X)

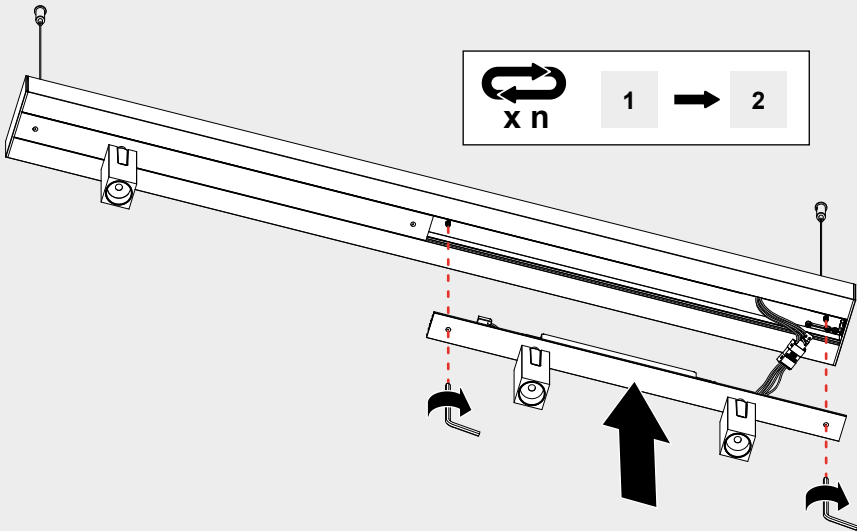
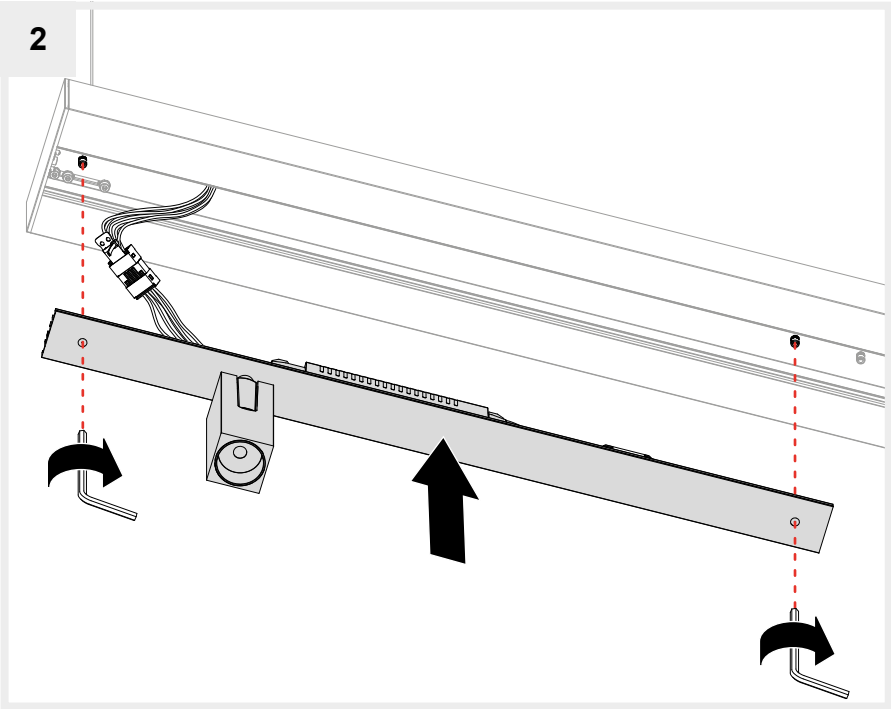


1

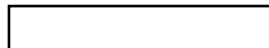
SPOT / PENDANT PLATES 2X



2



Artemide®



Artemide

via Bergamo, 18
20006 Pregnana M.se (MI)
ITALIA

tel. +39 02 935 181
fax +39 02 935 90 254
fax +39 02 935 90 496

www.artemide.com

VAT IT00846890150

cod. Y513001775