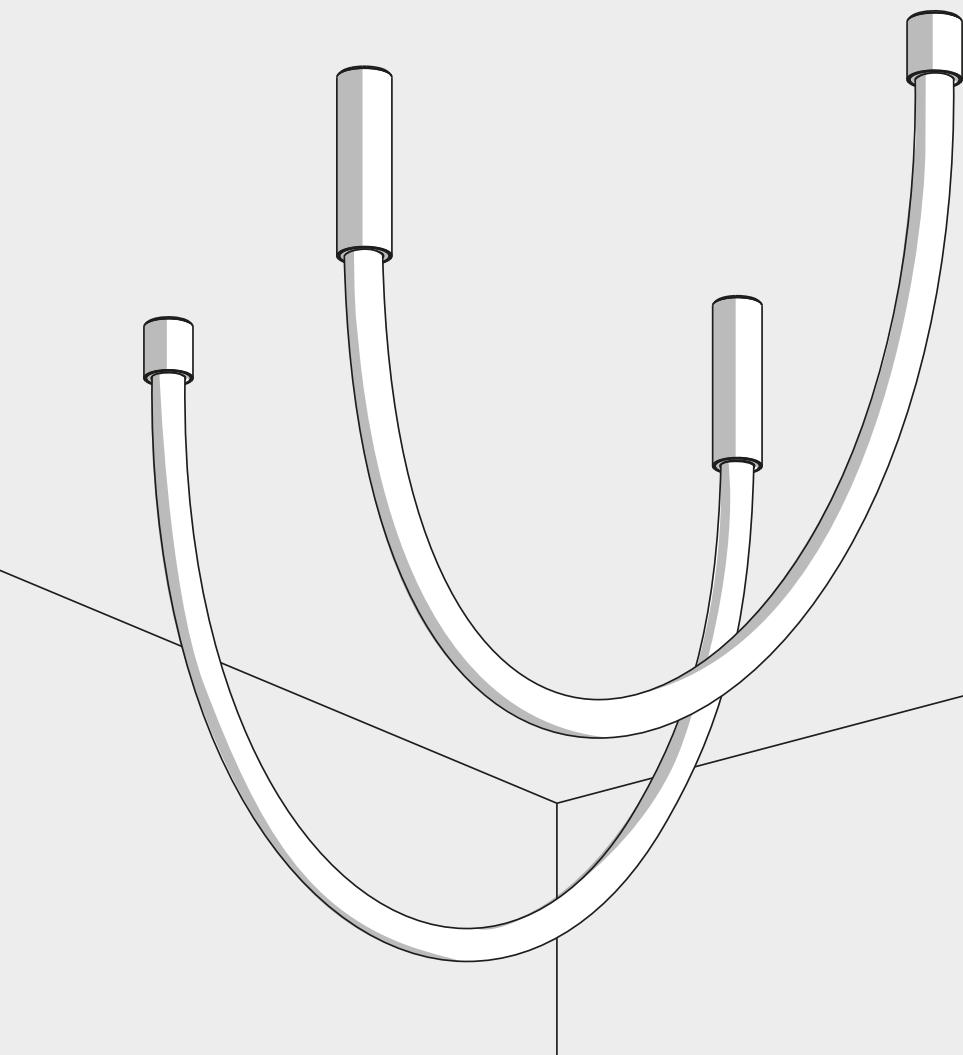


Artemide®

LA LINEA SMD

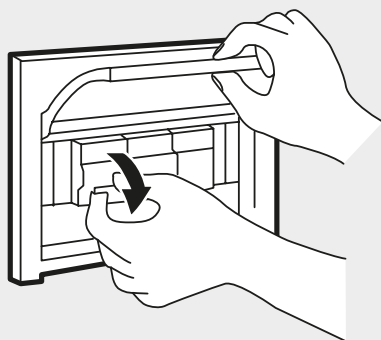
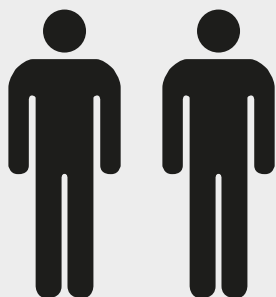
design
BIG

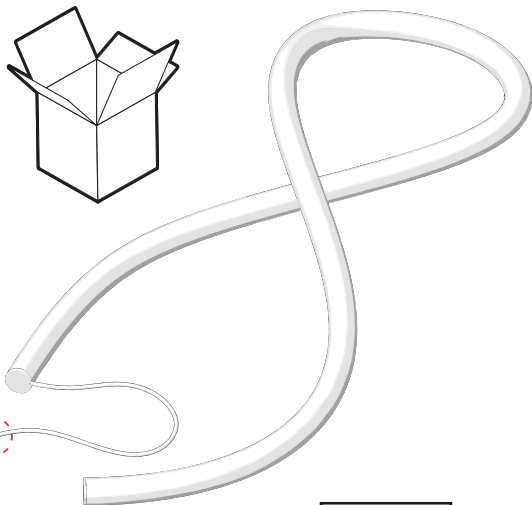
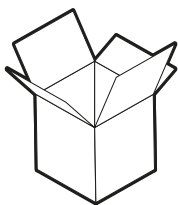
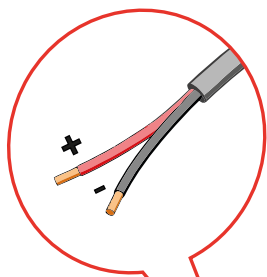
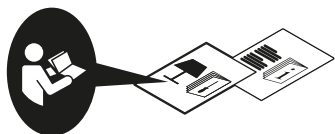




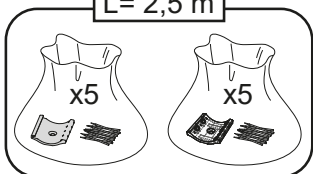
i

	IP20			LED0
			UK CA	IK08
?	→		→	

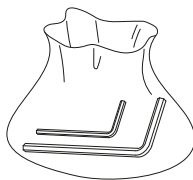
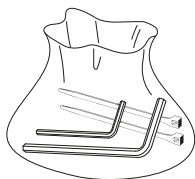
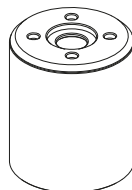
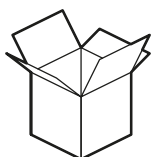
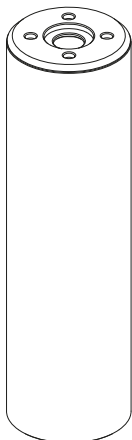
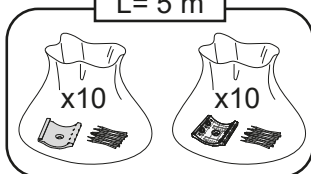




L= 2,5 m

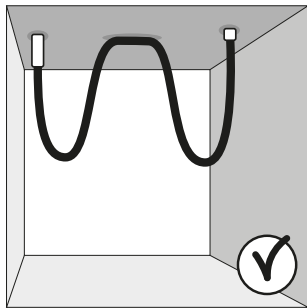
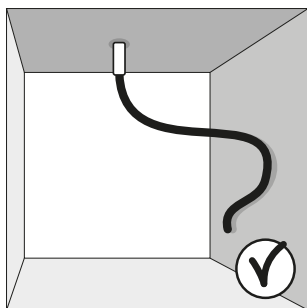
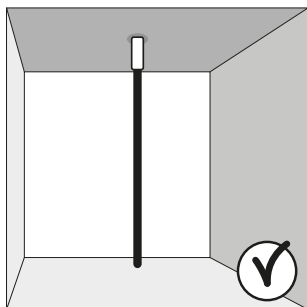
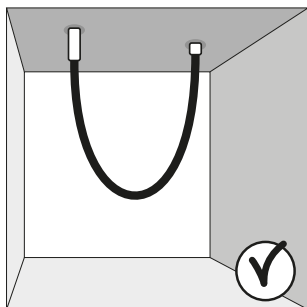


L= 5 m

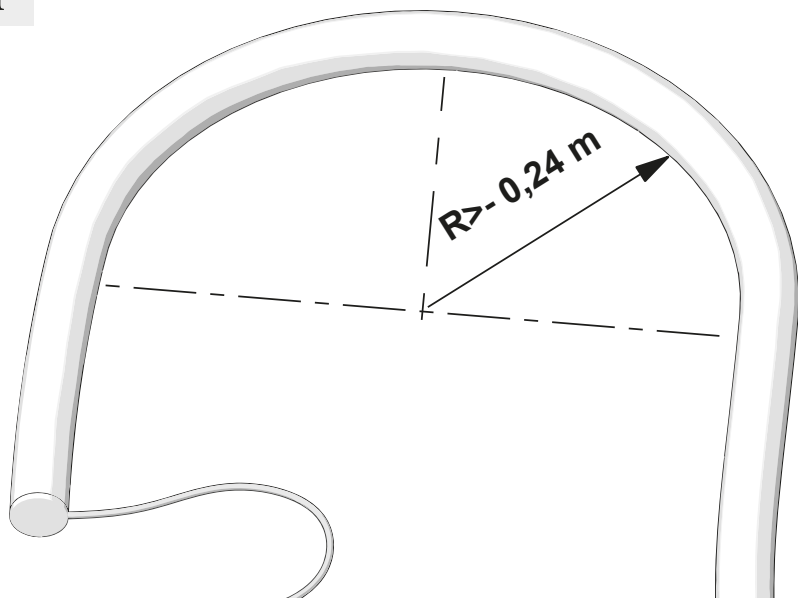




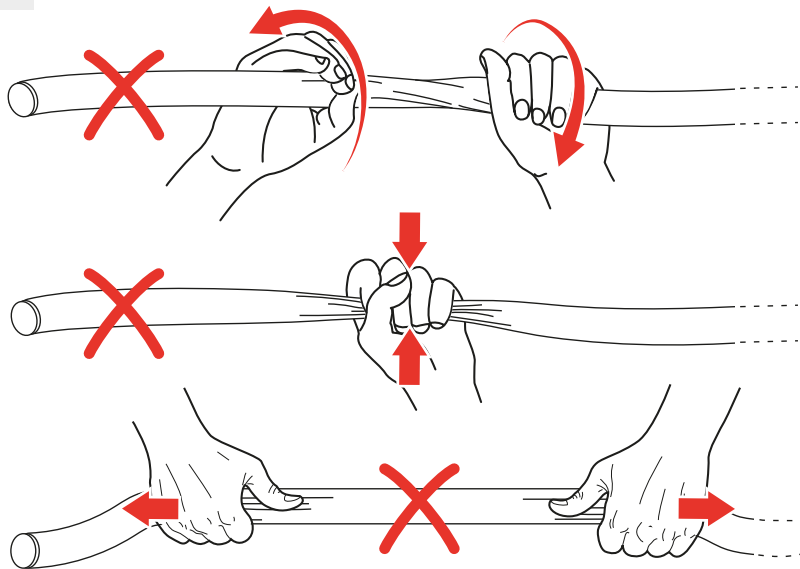
i



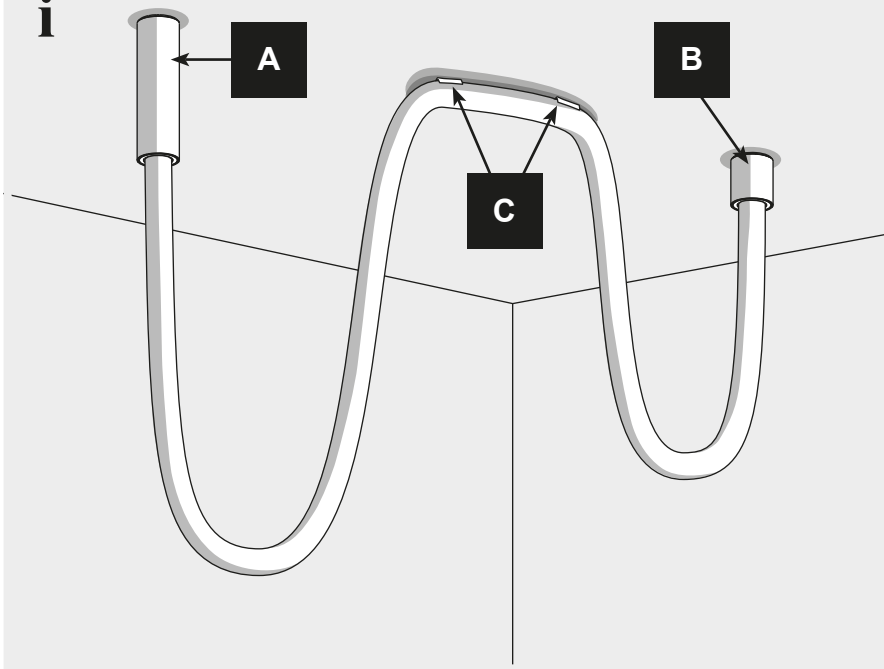
i



i



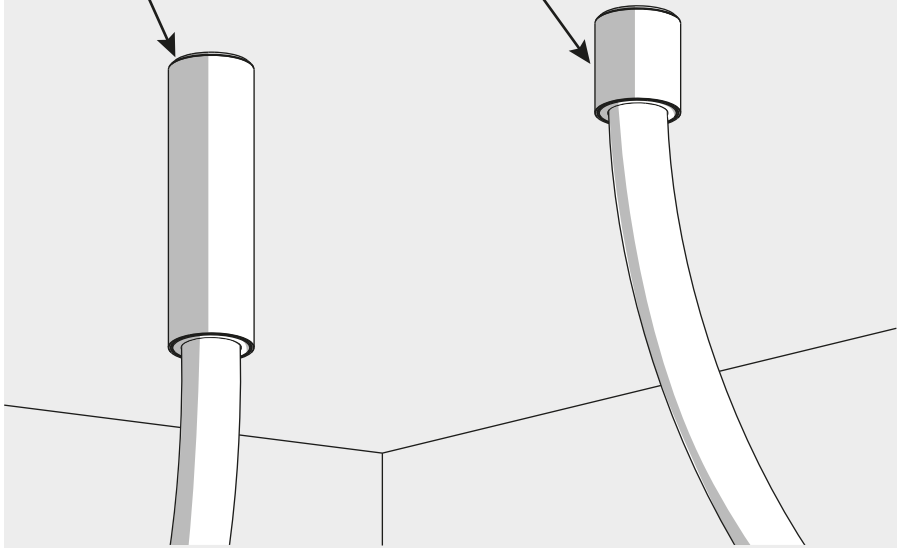
i



i

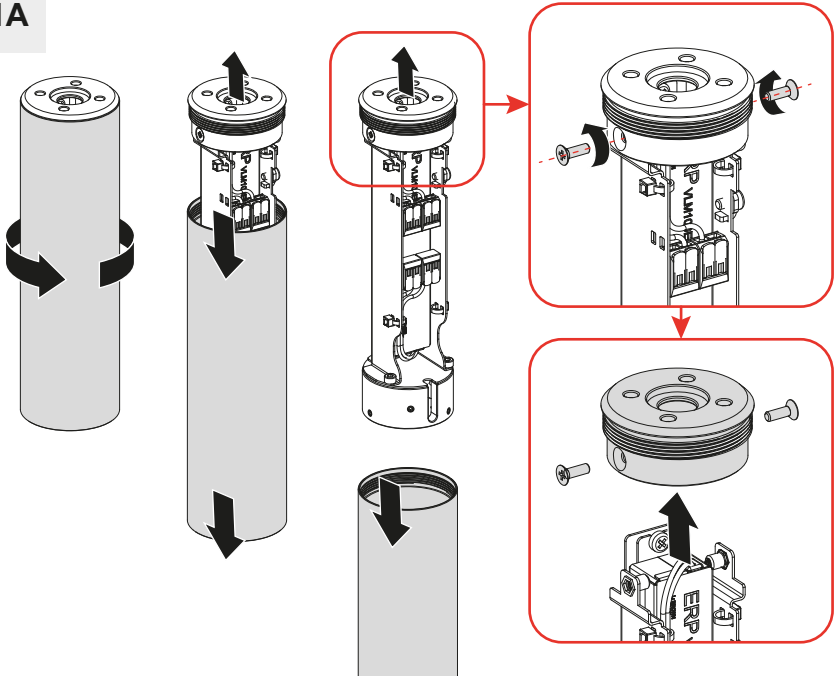
A LA LINEA SMD
DRIVER BOX

B LA LINEA SMD
FIXING BOX

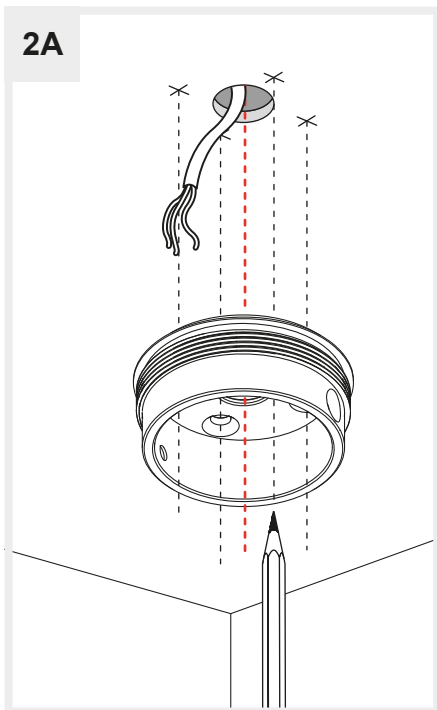


A

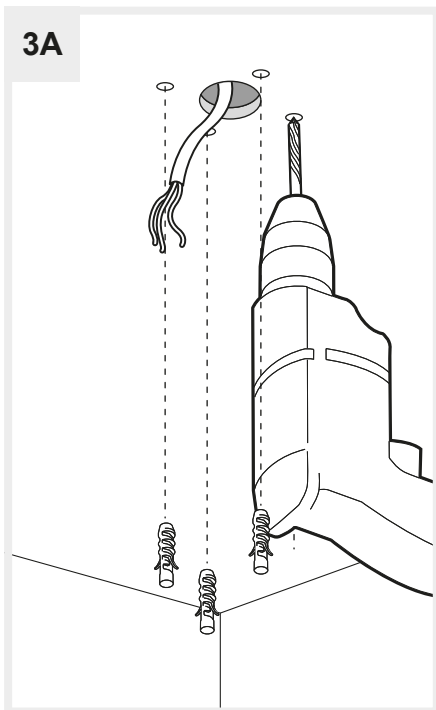
1A



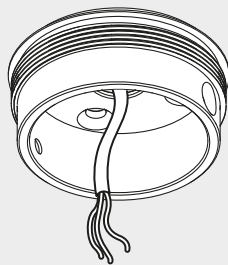
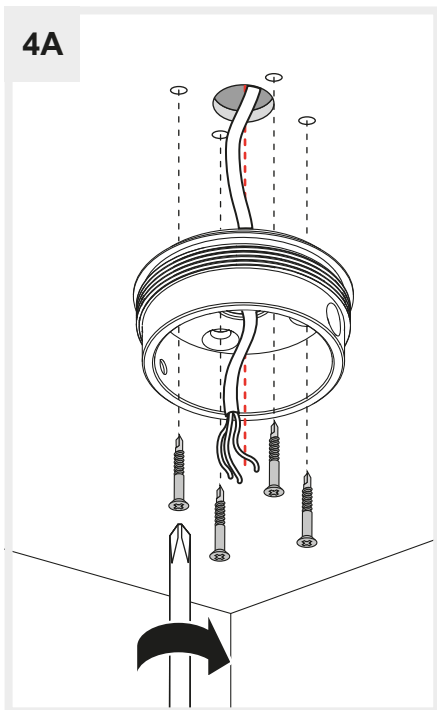
2A



3A

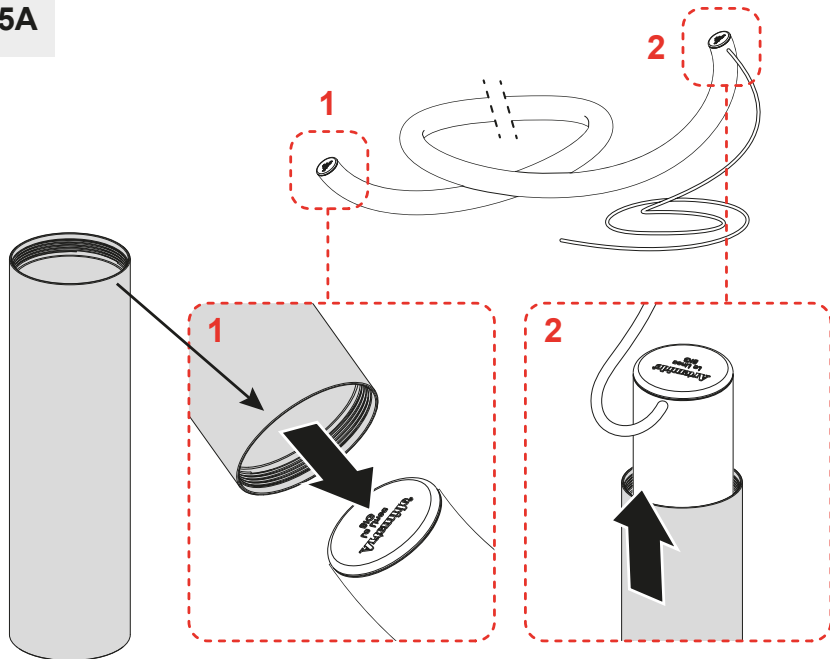


4A

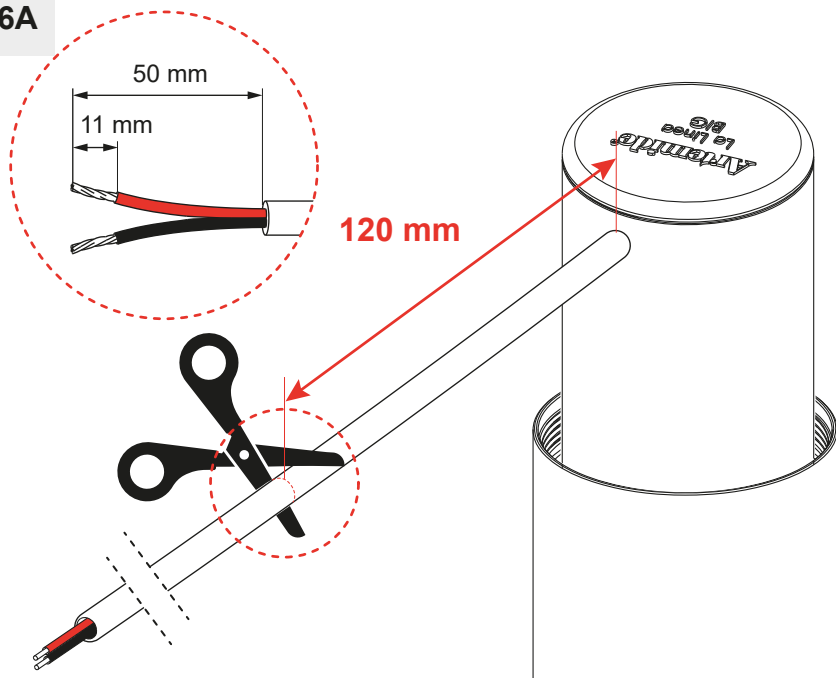


220 / 240 Vac

5A



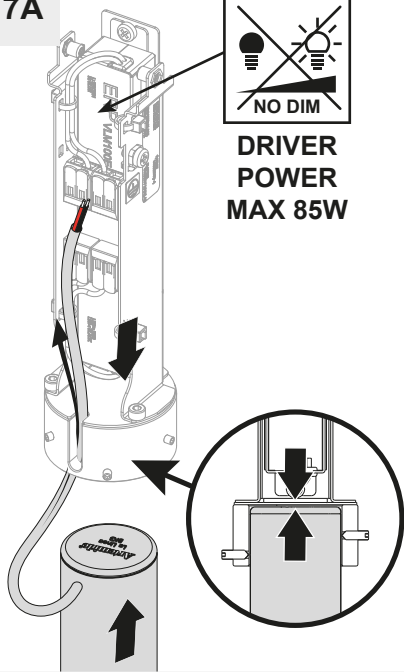
6A



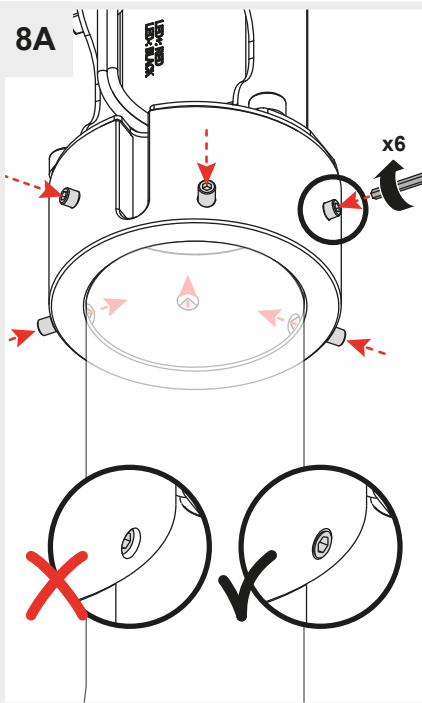
7A



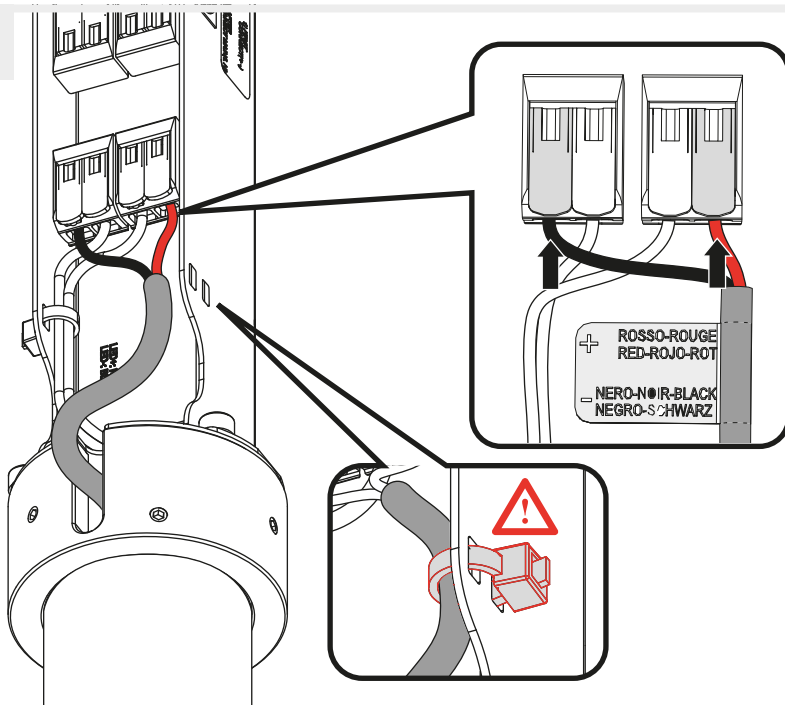
**DRIVER
POWER
MAX 85W**



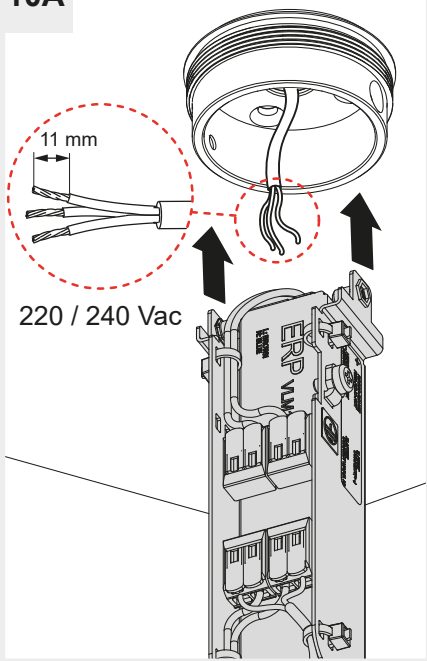
8A



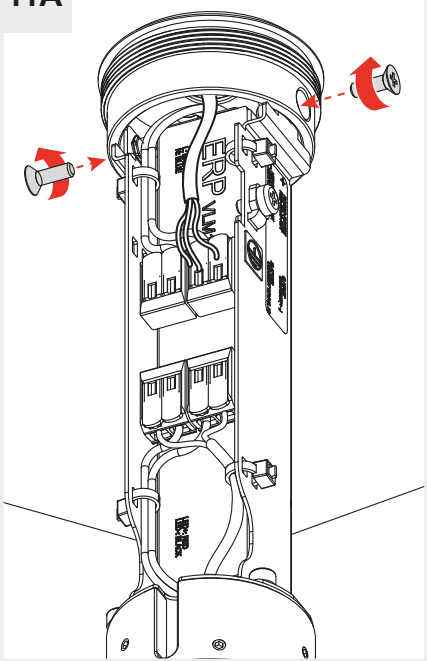
9A



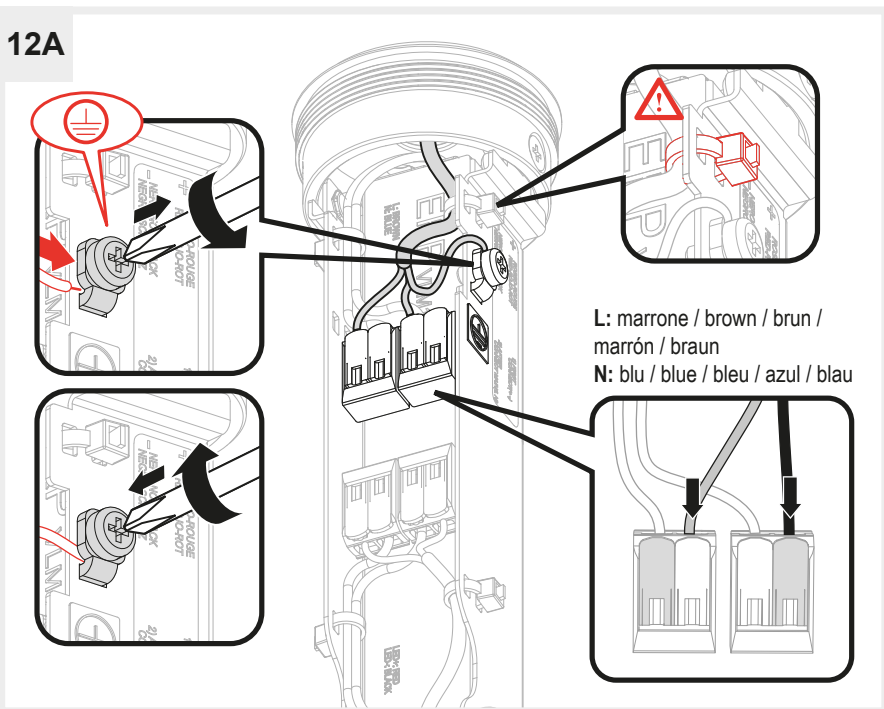
10A



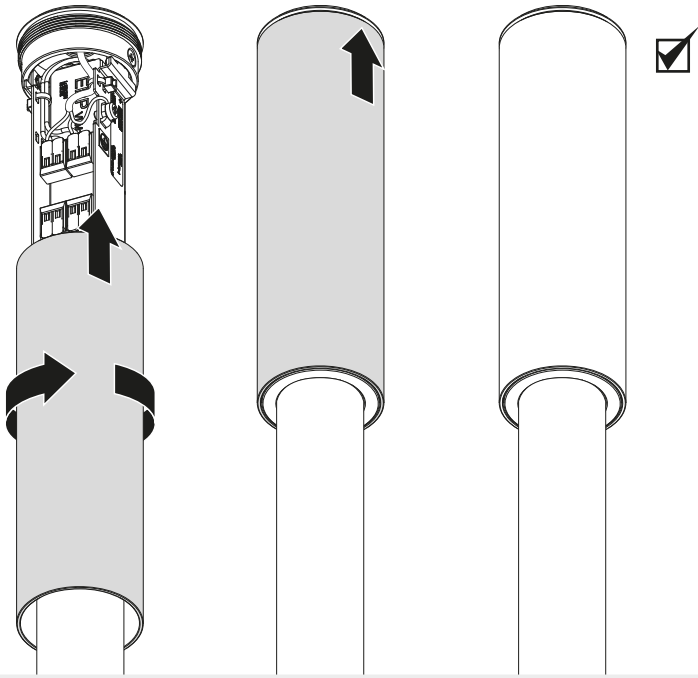
11A



12A

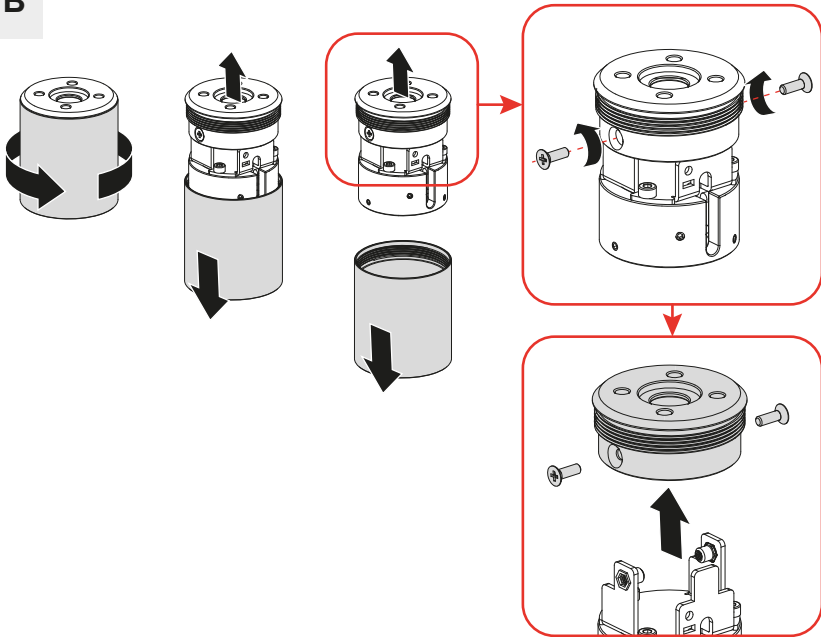


13A

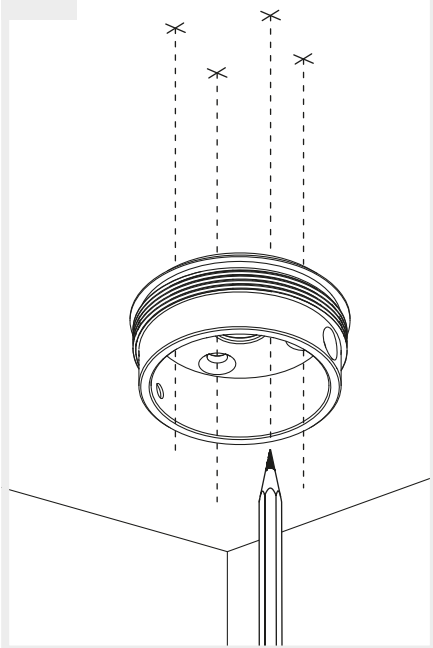


1B

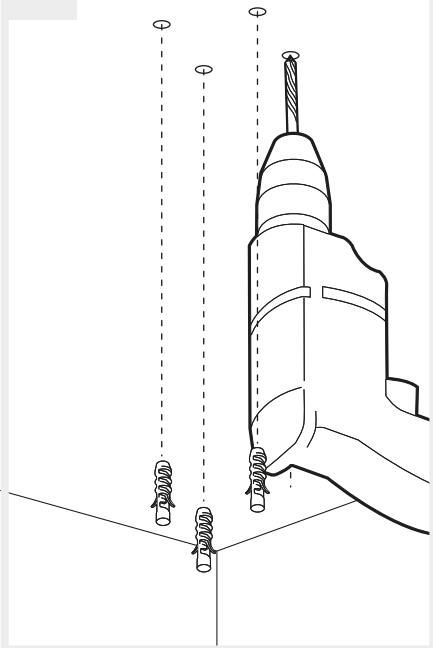
B



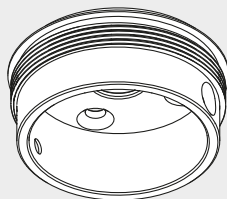
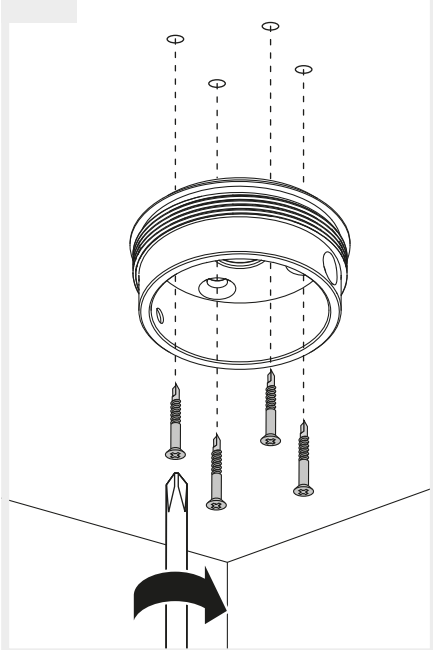
2B



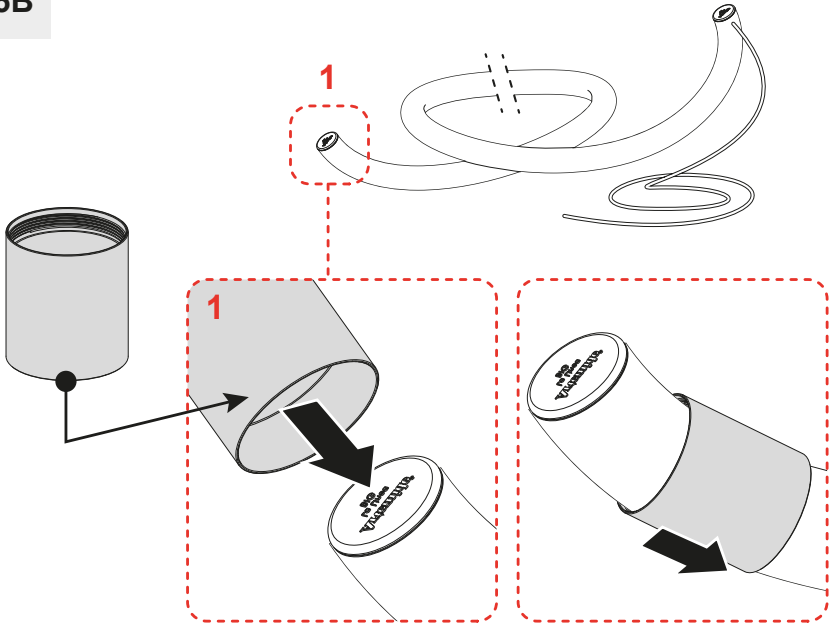
3B



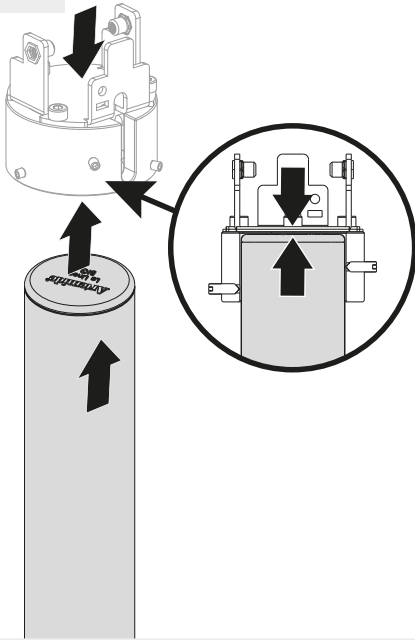
4B



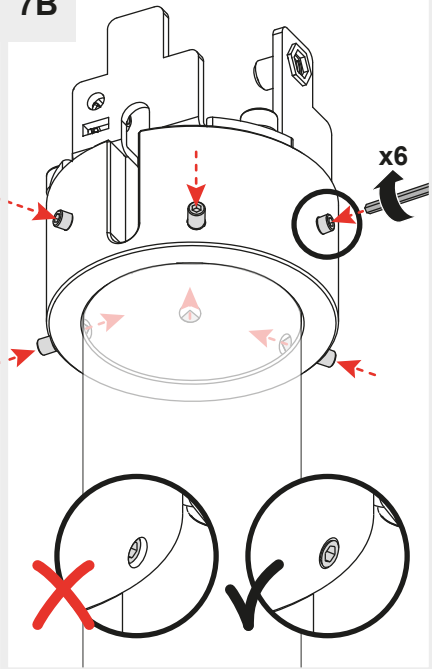
5B



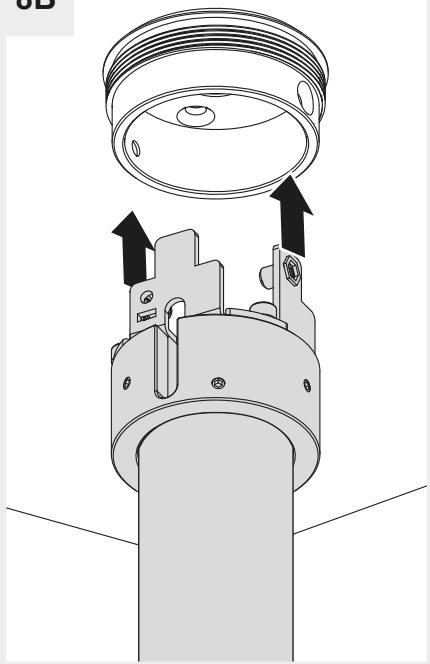
6B



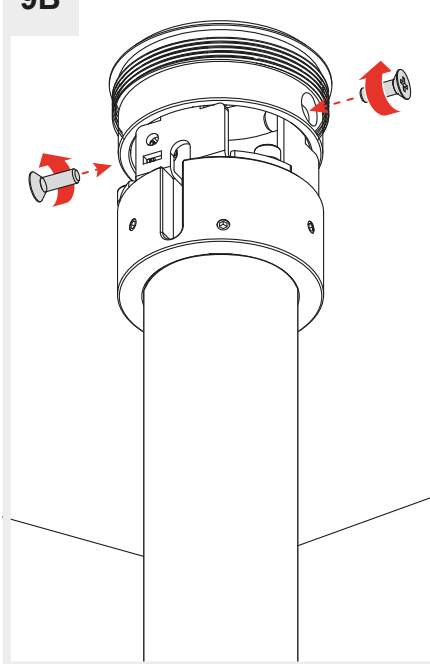
7B



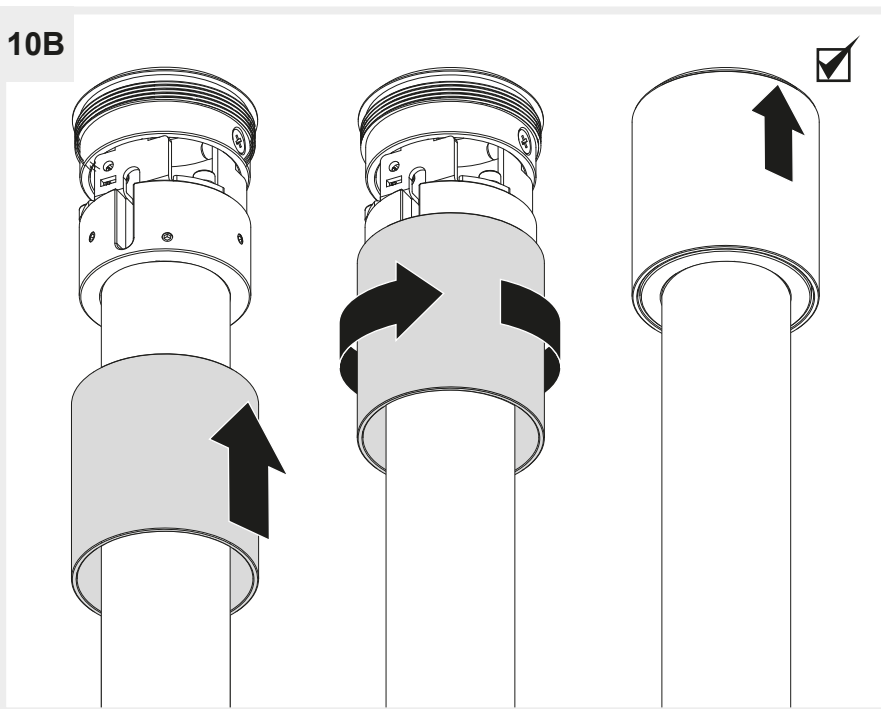
8B

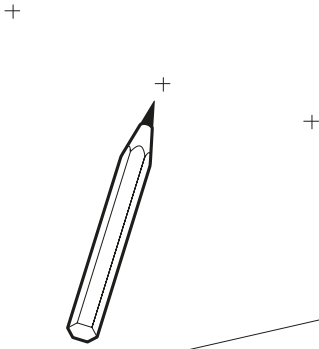
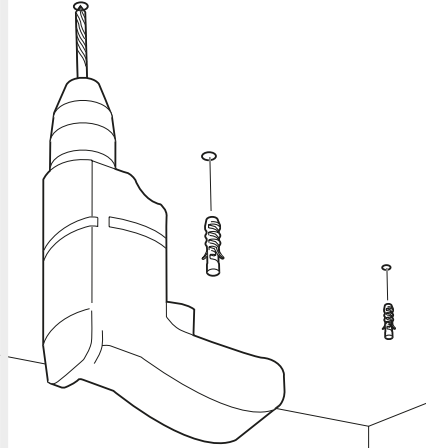
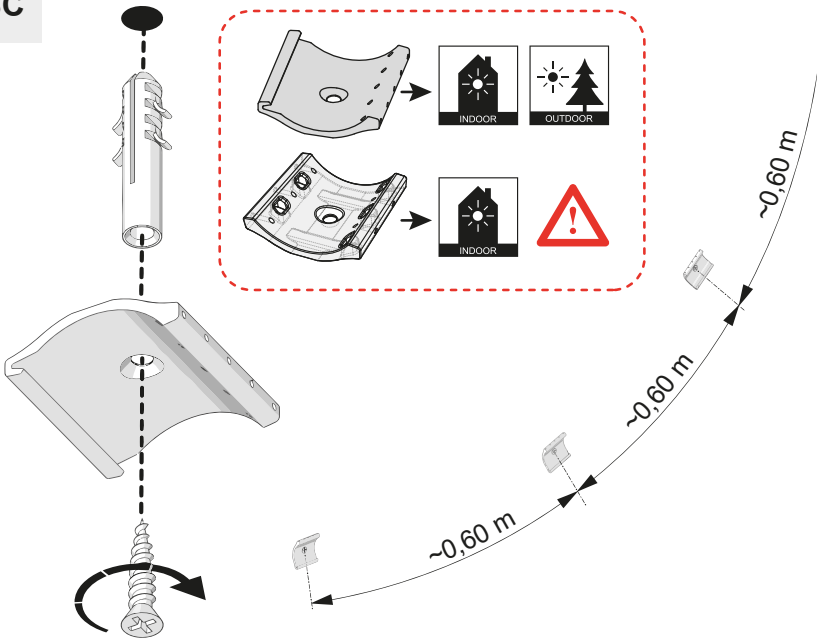


9B

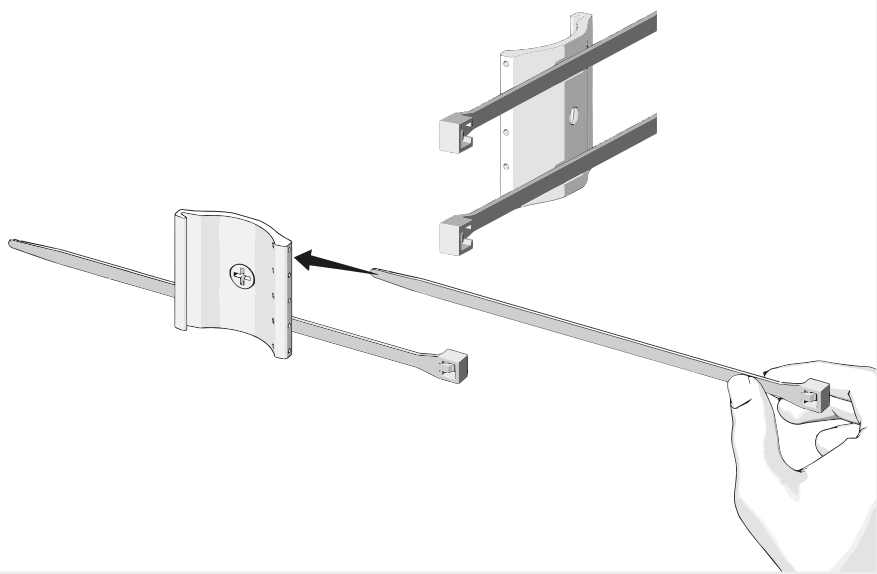


10B

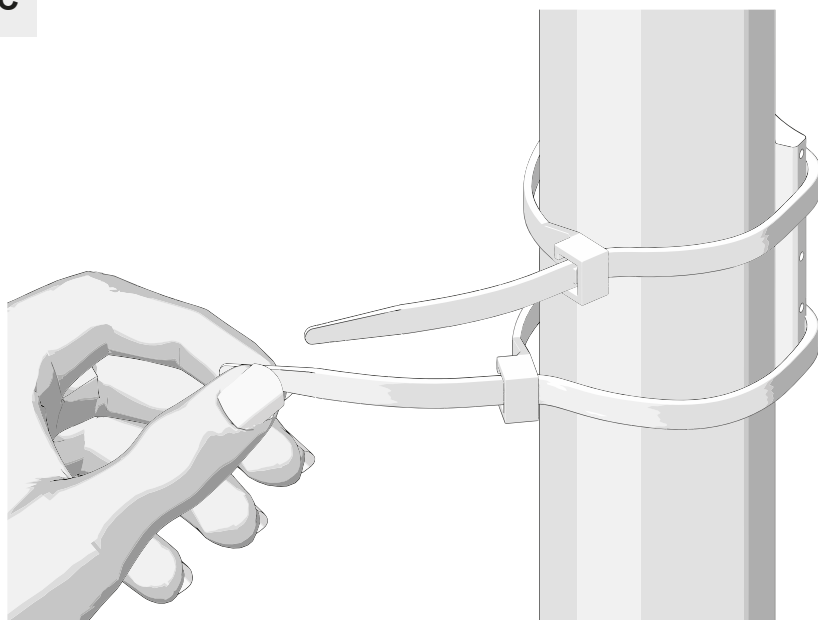


1C**2C****3C**

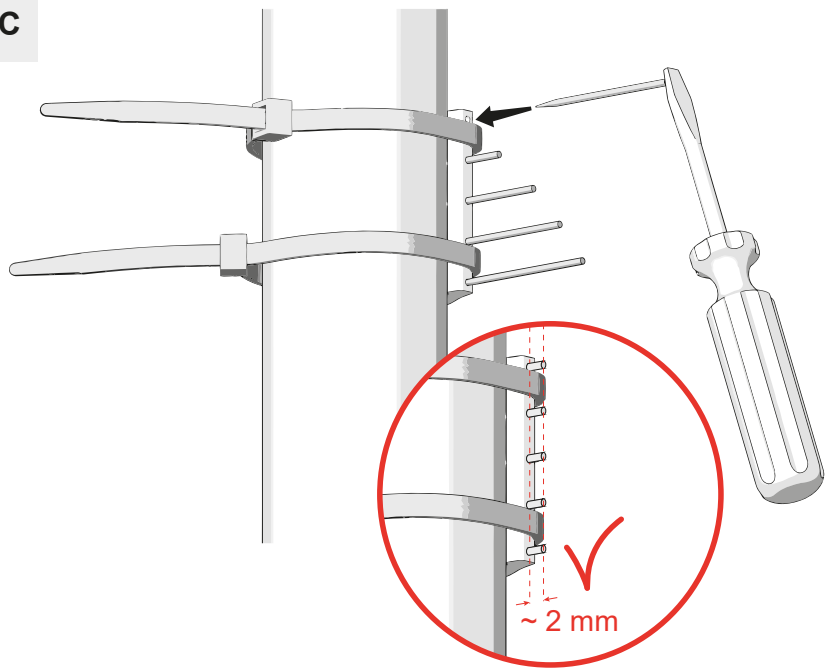
4C



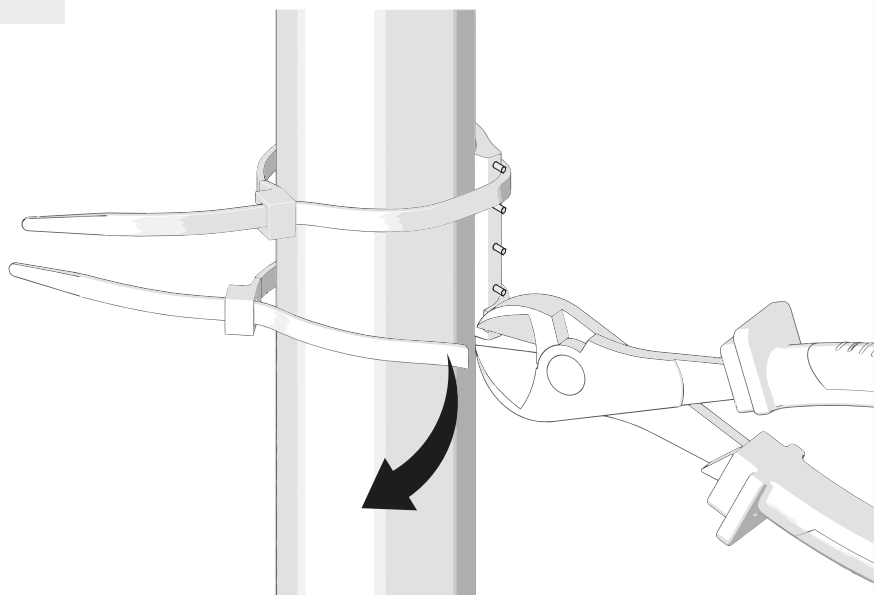
5C



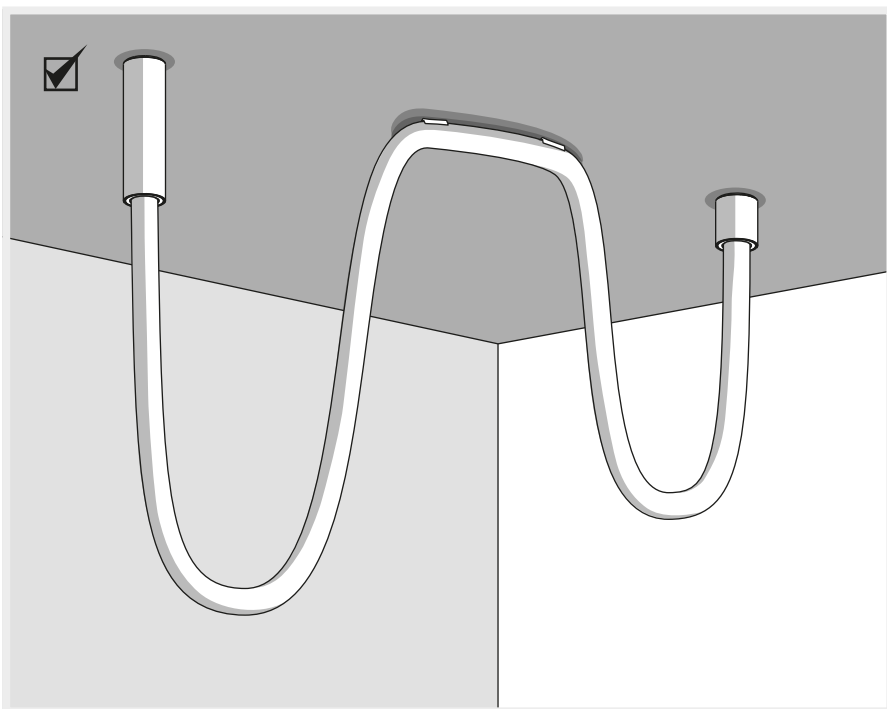
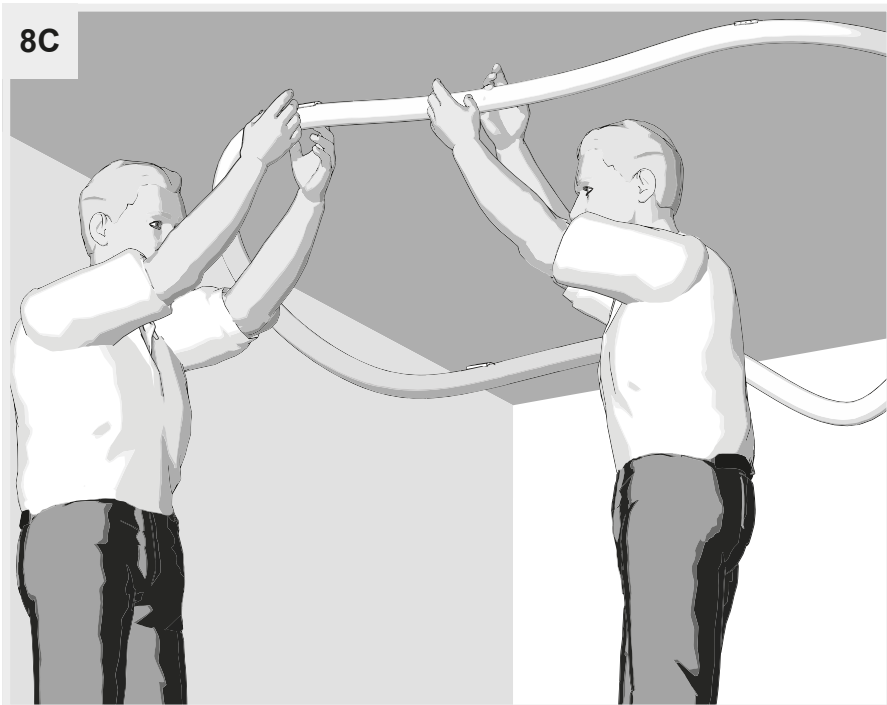
6C



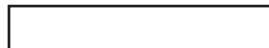
7C



8C



Artemide®



Artemide

via Bergamo, 18
20006 Pregnana M.se (MI)
ITALIA

tel. +39 02 935 181
fax +39 02 935 90 254
fax +39 02 935 90 496

www.artemide.com

VAT IT00846890150

cod. Y513001748