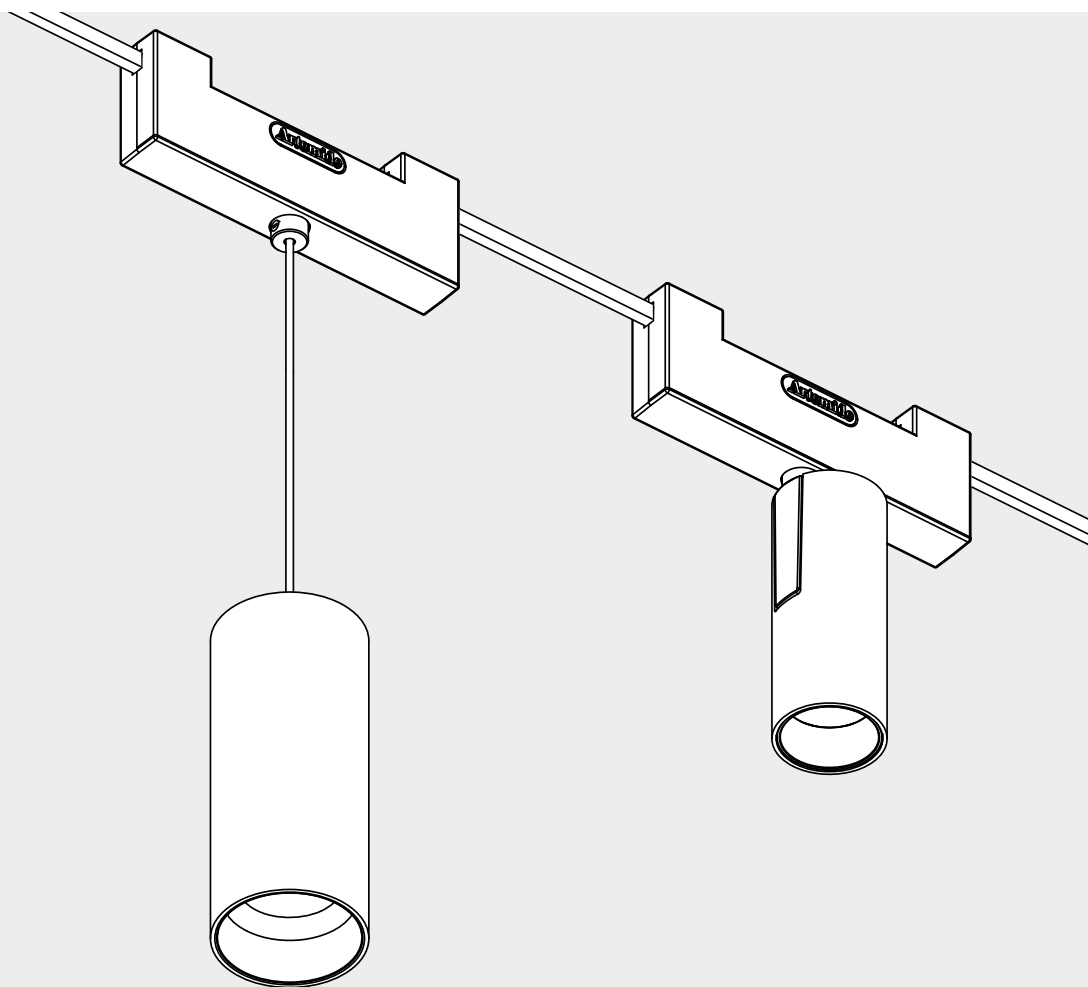


# Artemide®

## VECTOR 30 / 40 / 55 FUNIVIA VECTOR 30 / 40 / 55 PENDANT FUNIVIA

design  
Carlotta de Bevilacqua





i

VECTOR 55

|  |  |  |  |  |
|--|--|--|--|--|
|  |  |  |  |  |
|  |  |  |  |  |

VECTOR 30/40

VECTOR 30

VECTOR 40



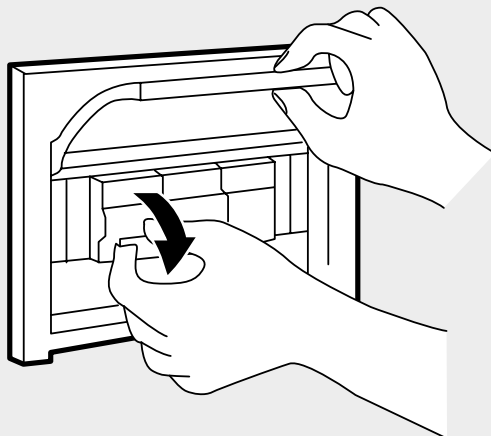
|    | LED1 from Dthr (m) |       |       |
|----|--------------------|-------|-------|
|    | 2700K              | 3000K | 4000K |
| SP | LED1               | LED1  | 1,66  |
| FL | LED1               | LED1  | 1,4   |
| WF | LED1               | LED1  | 1,4   |

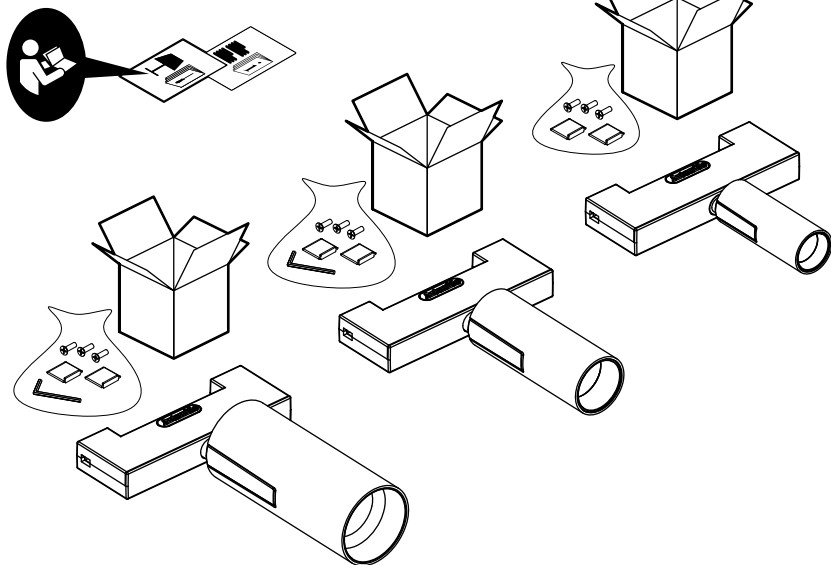
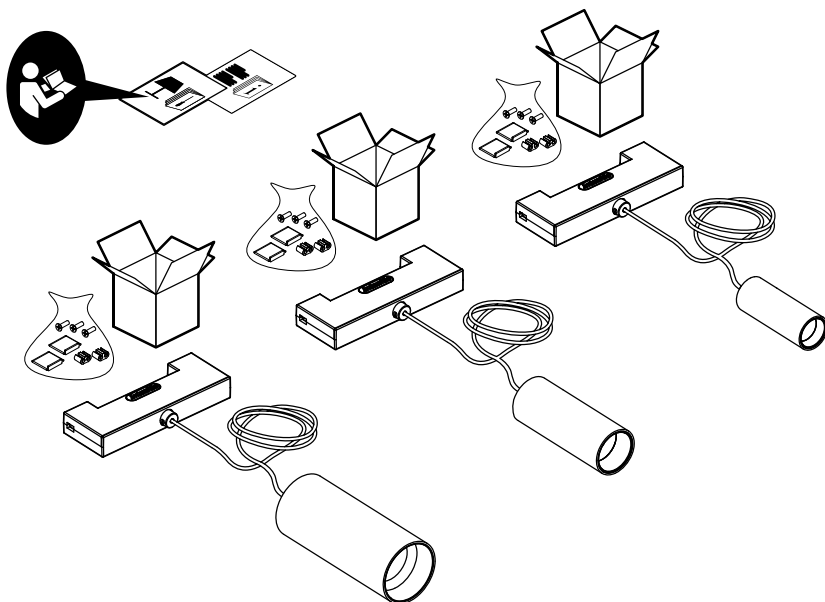
|    | LED1 from Dthr (m) |       |       |
|----|--------------------|-------|-------|
|    | 2700K              | 3000K | 4000K |
| SP | 1,6                | 1,6   | 2,15  |
| FL | LED1               | LED1  | 1,75  |
| WF | LED1               | LED1  | 1,75  |

|  |  |  |  |  |
|--|--|--|--|--|
|  |  |  |  |  |
|  |  |  |  |  |



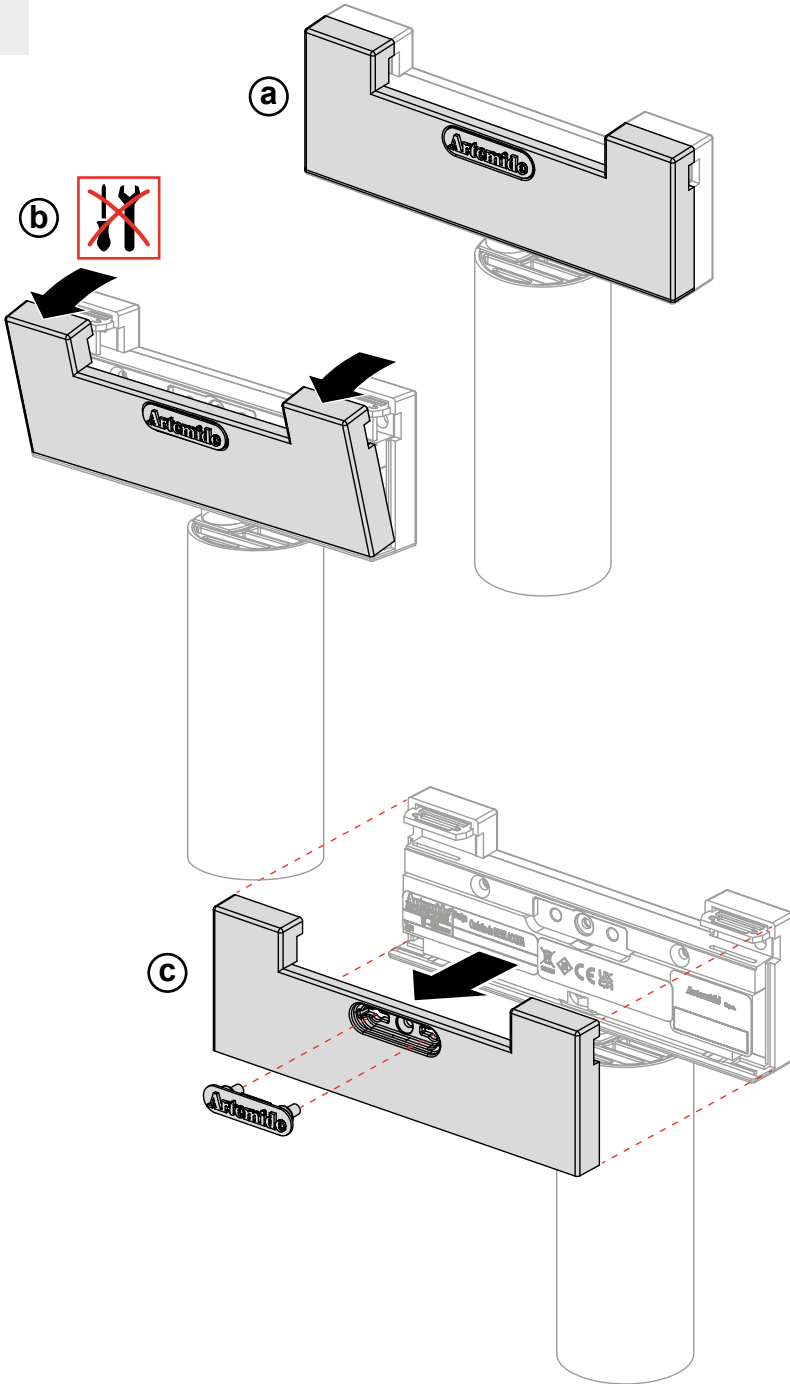
Artemide App  
Quick Starting Guide



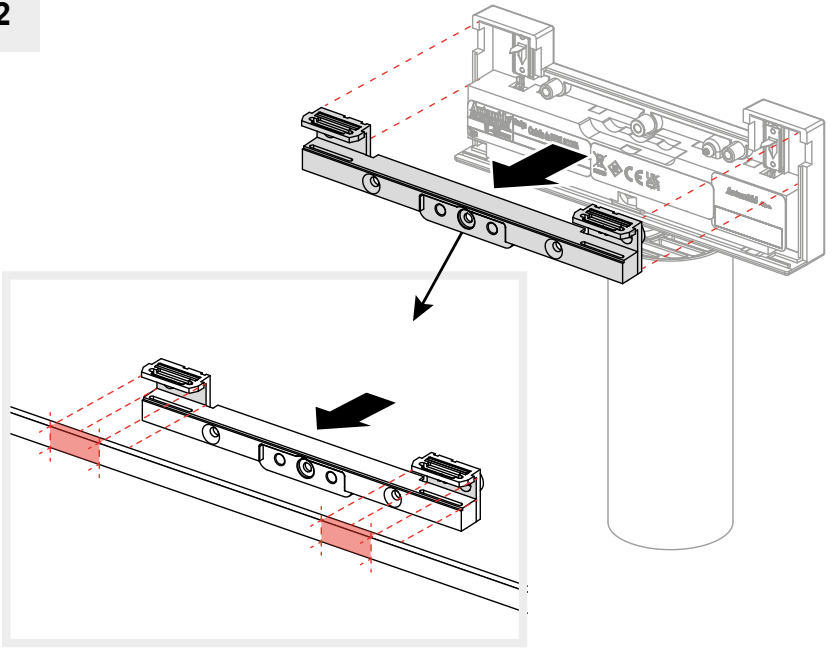
**A****Vector 30 / 40 / 55 Funivia****B****Vector 30 / 40 / 55 Pendant Funivia**

|                     | POWER KIT<br>TYPOLOGY  | POWER<br>[W]           | VECTOR<br>30/40/55<br>FUNIVIA |      | VECTOR<br>30/40/55<br>PENDANT<br>FUNIVIA |      |   |
|---------------------|------------------------|------------------------|-------------------------------|------|--|------|---|
|                     |                        |                        | APP                           | PUSH | APP                                      | PUSH |   |
| REST OF THE WORLD   | RECESSED<br>SUSPENSION | 150                    | x                             | x    | x  | x    |   |
|                     |                        | 240                    | x                             | x    | x  | x    |   |
|                     |                        | 320                    | x                             | x    | x  | x    |   |
|                     | RECESSED<br>CEILING    | 150                    | x                             | x    | x  | x    |   |
|                     |                        | 240                    | x                             | x    | x  | x    |   |
|                     |                        | 320                    | x                             | x    | x  | x    |   |
|                     | SMD                    | 150                    | x                             | x    | x  | x    |   |
|                     |                        | 240                    | x                             | x    | x  | x    |   |
|                     | REMOTE                 | 240                    | x                             | x    | x  | x    |   |
|                     |                        | 320                    | x                             | x    | x  | x    |   |
|                     | US/CA                  | RECESSED<br>SUSPENSION | 100                           | x    |  | x    |   |
|                     |                        |                        | 150                           |      | x  |      | x |
| RECESSED<br>CEILING |                        | 100                    | x                             |      | x  |      |   |
|                     |                        | 150                    |                               | x    |  | x    |   |
| SMD                 |                        | 100                    | x                             |      | x  |      |   |
|                     |                        | 240                    |                               | x    |  | x    |   |
| REMOTE              |                        | 100                    | x                             |      | x  |      |   |
|                     |                        | 150                    |                               | x    |  | x    |   |
| WALL/SMD<br>REMOTE  |                        | 100                    | x                             |      | x  |      |   |
|                     |                        | 240                    |                               | x    |  | x    |   |
|                     |                        | 320                    |                               | x    |  | x    |   |

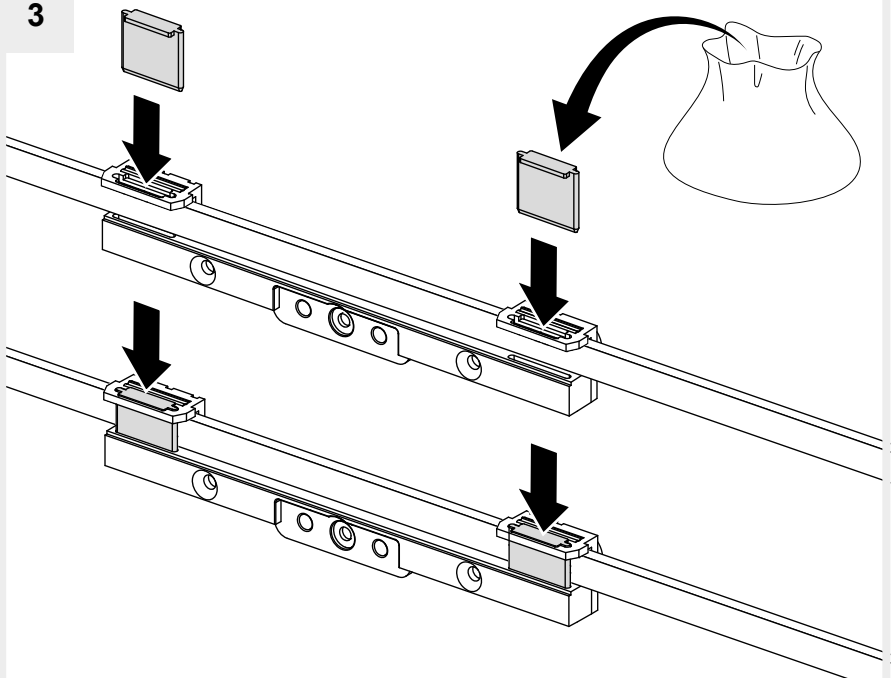
1



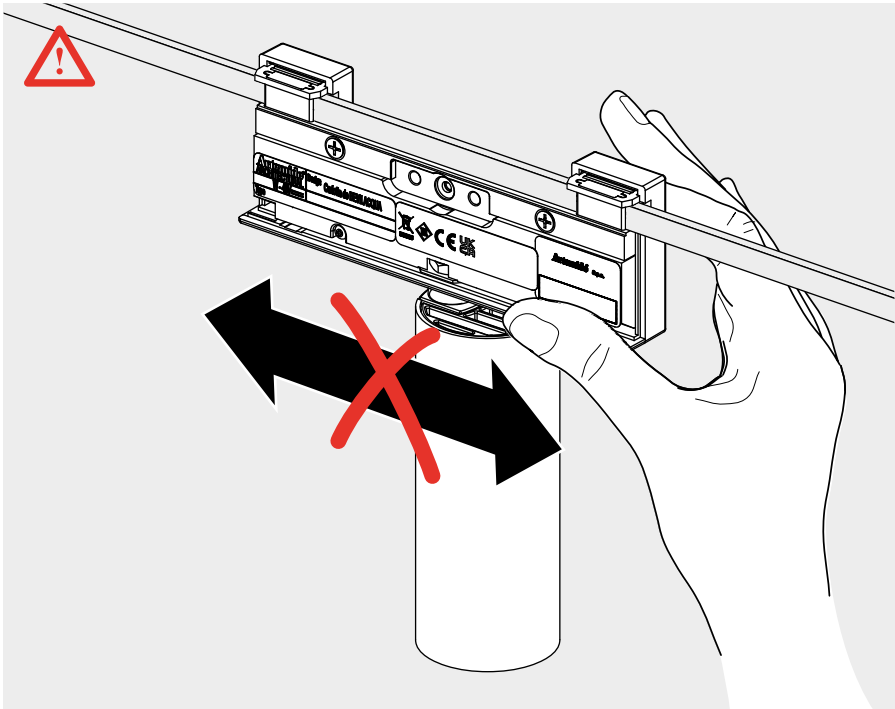
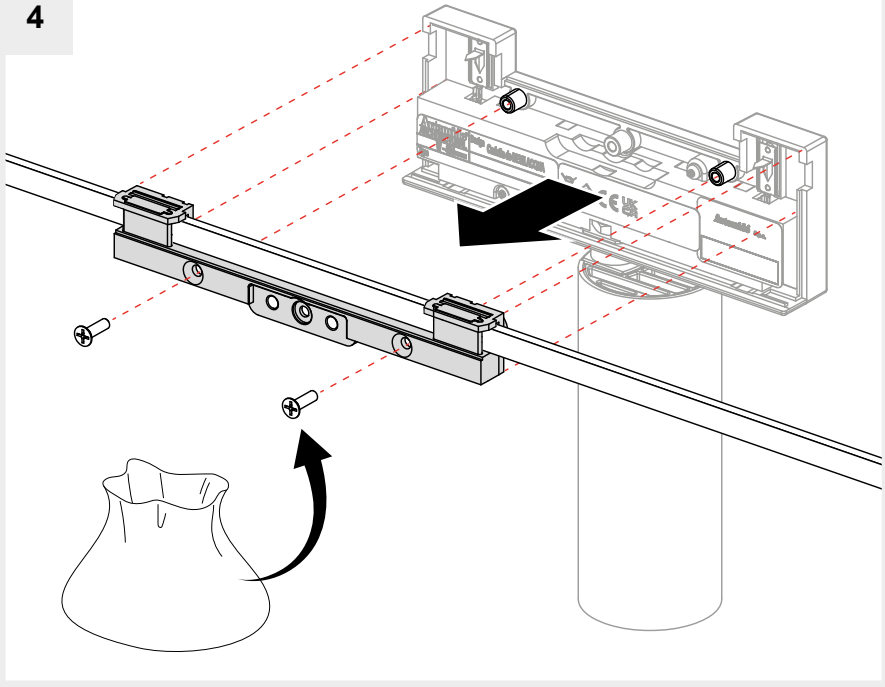
2



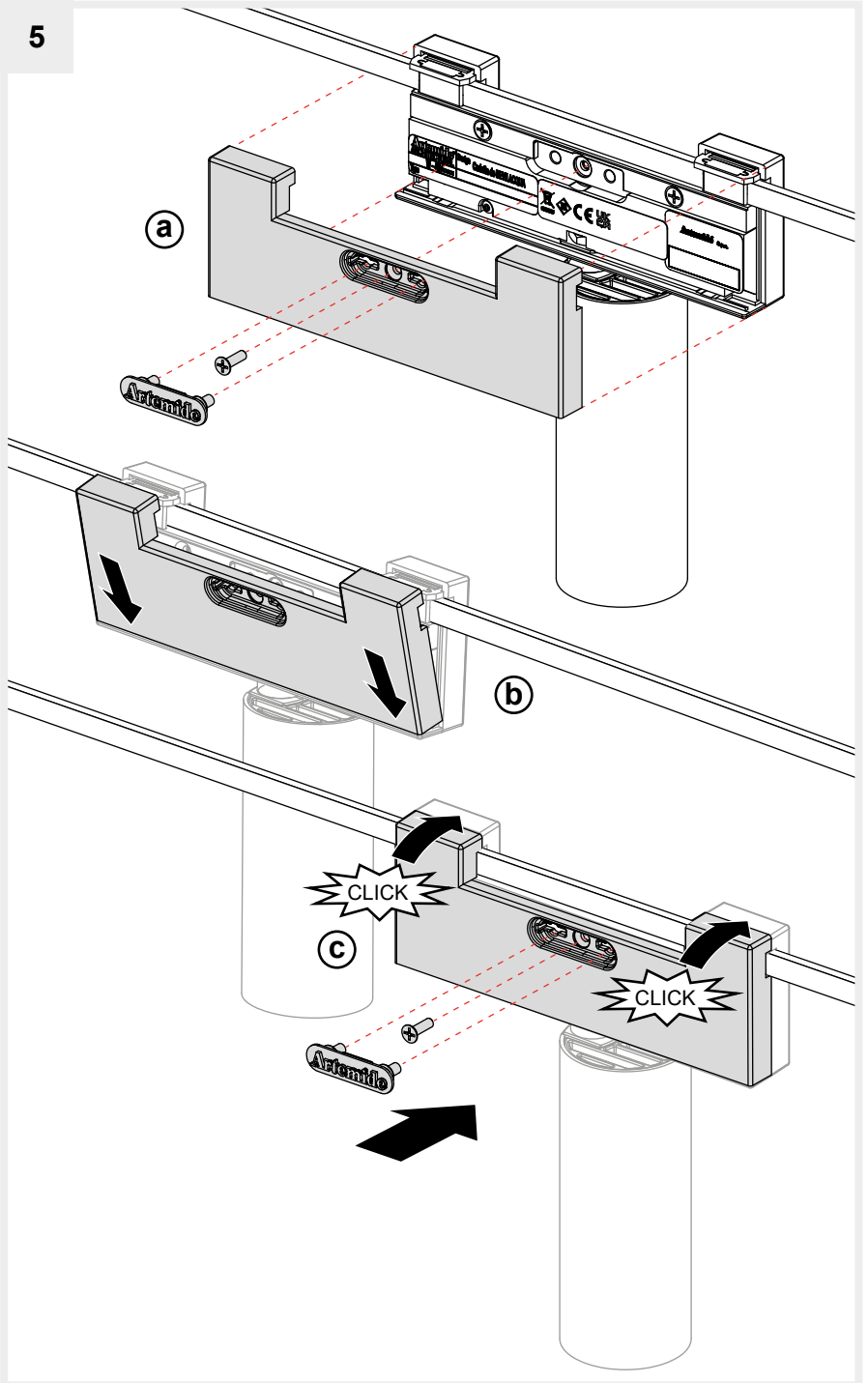
3



4

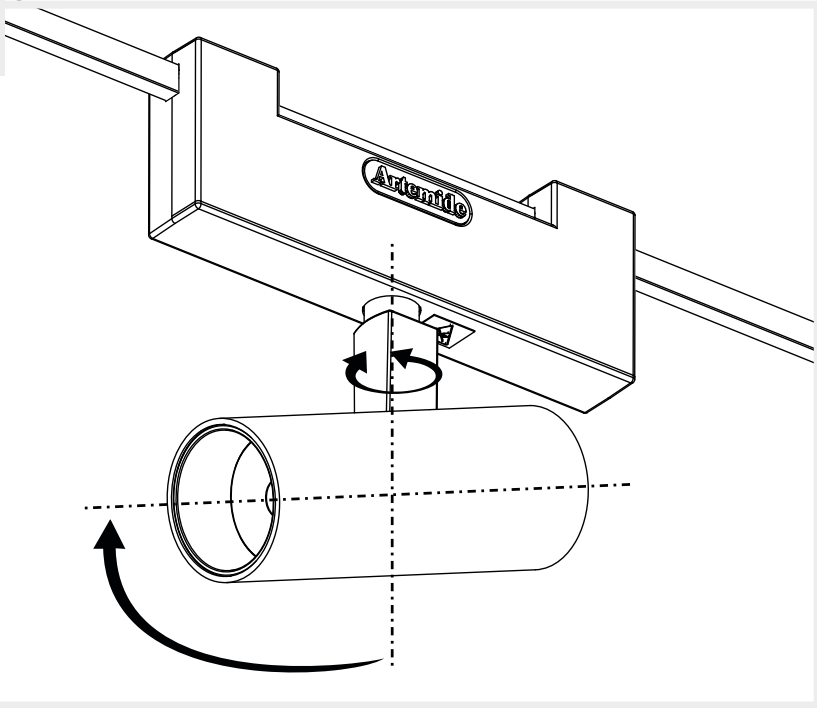


5



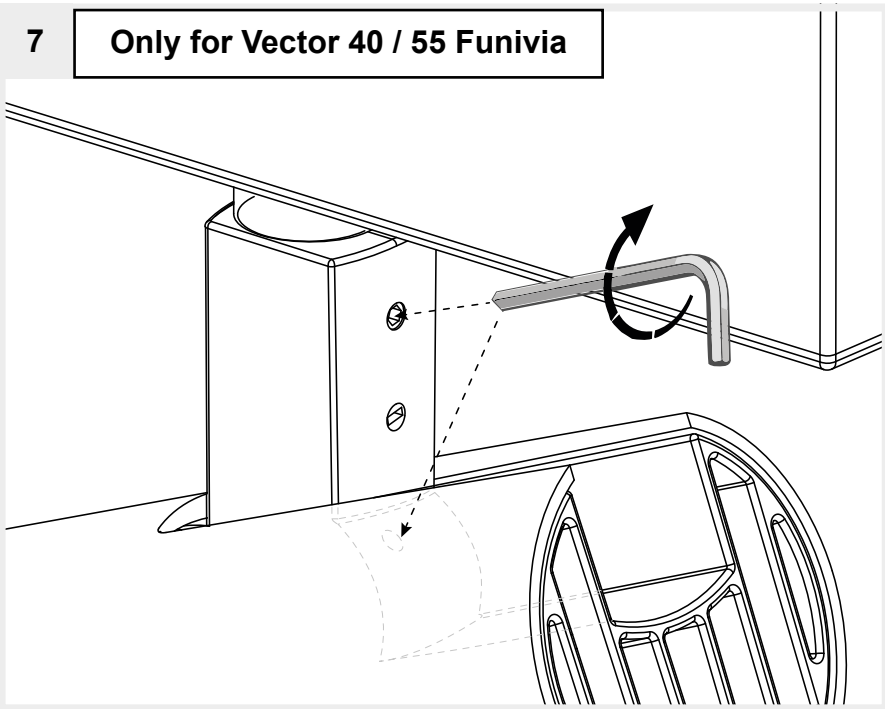


6



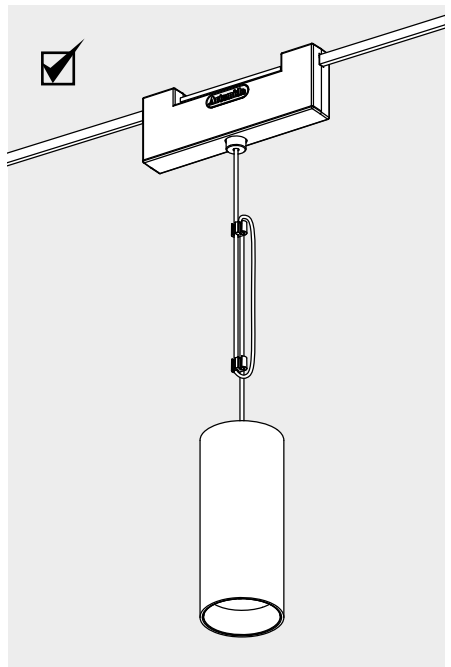
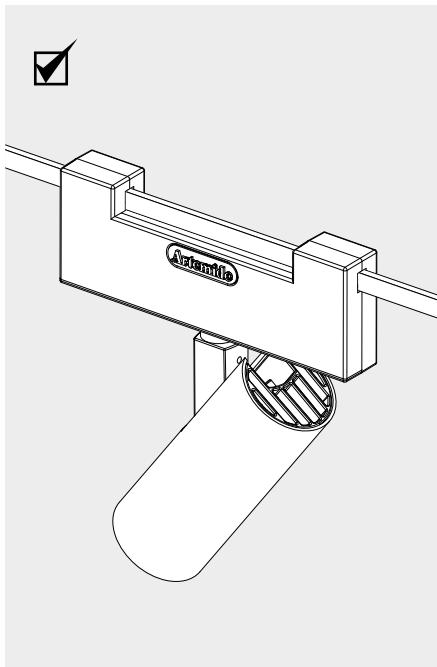
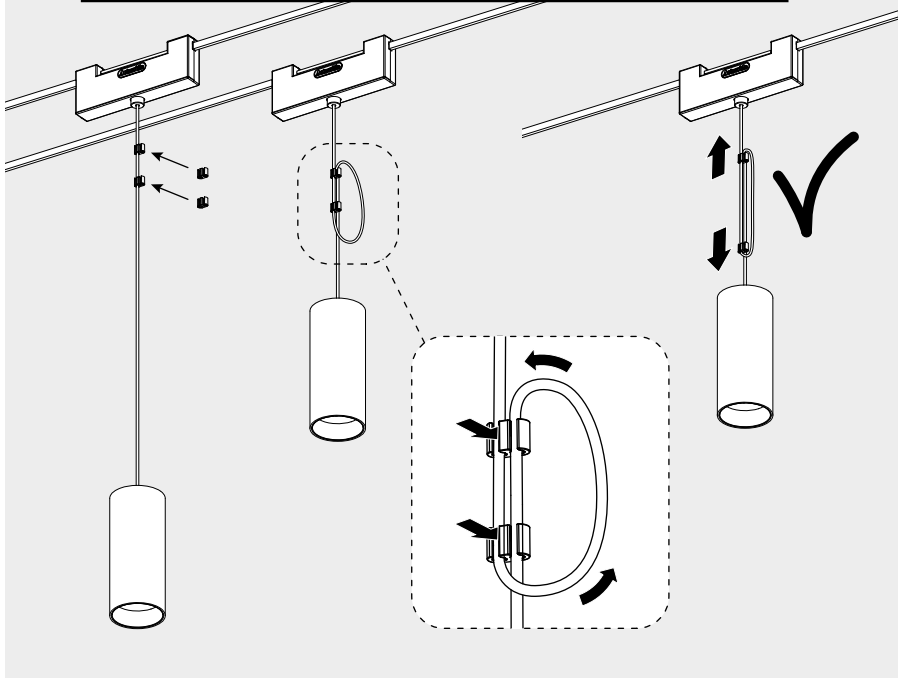
7

Only for Vector 40 / 55 Funivia



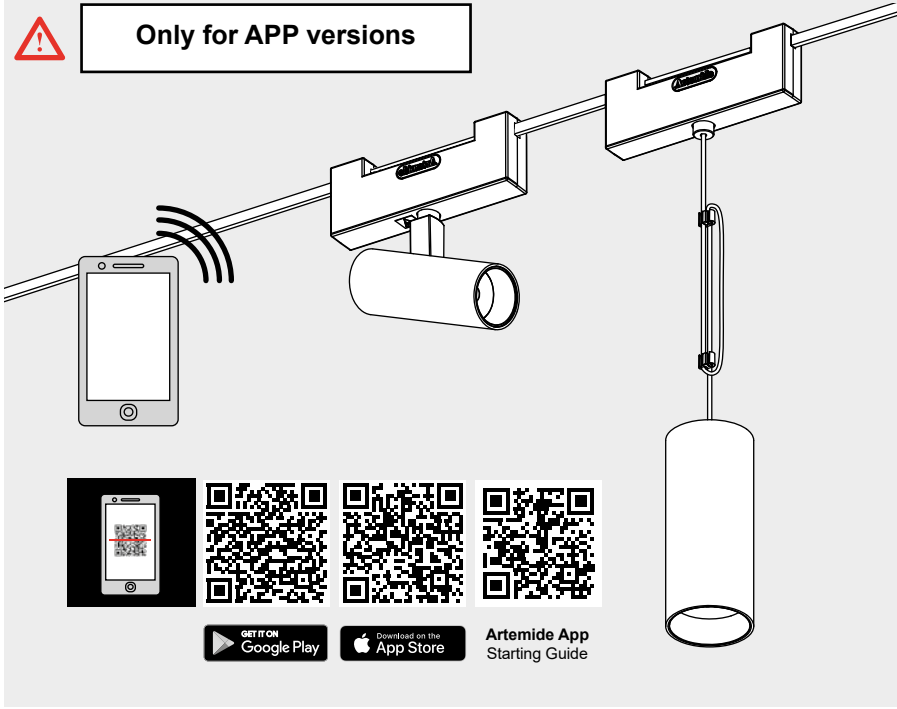
**i**

**Only for Vector 30 / 40 / 55 Pendant Funivia**

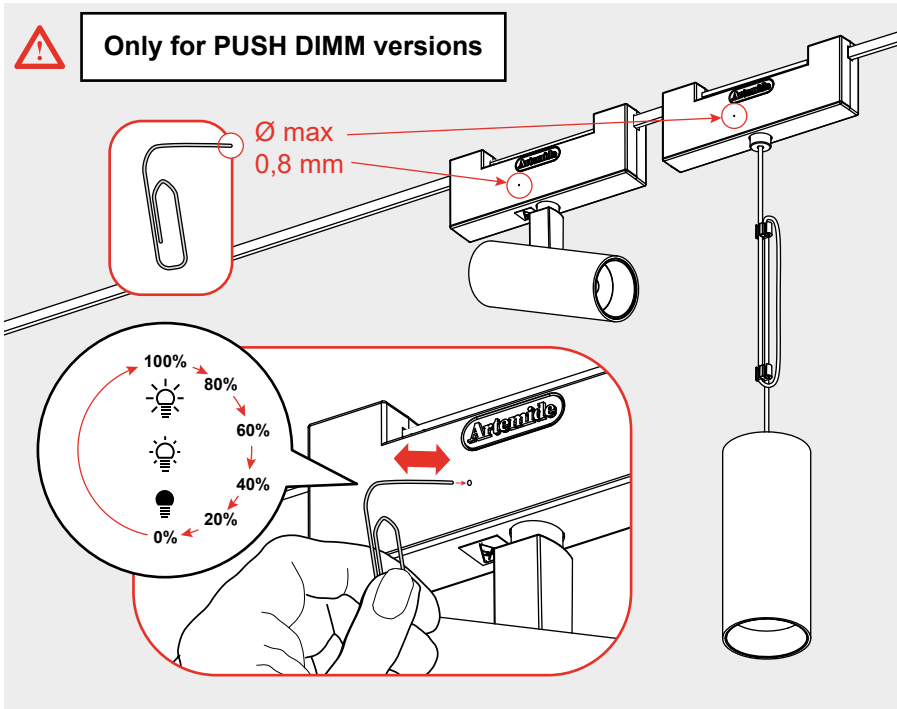




Only for APP versions

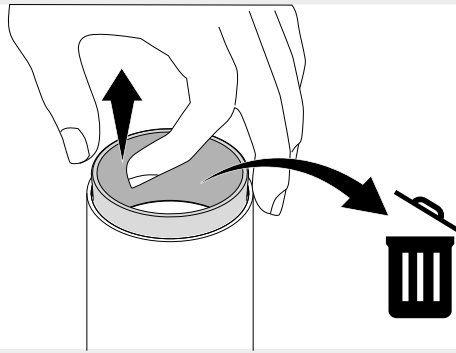


Only for PUSH DIMM versions



# VECTOR 40 ACCESSORIES

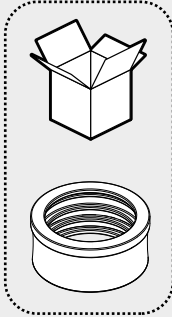
1



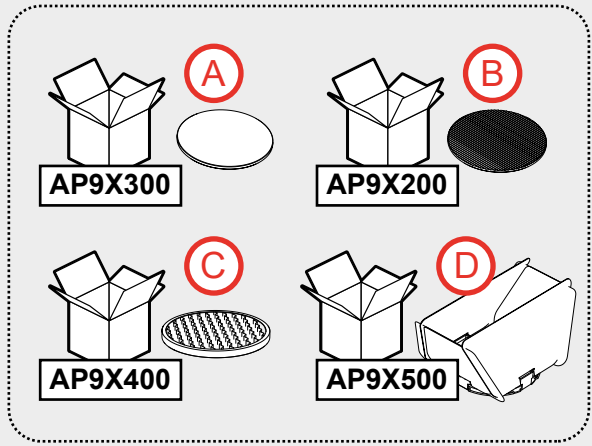
i



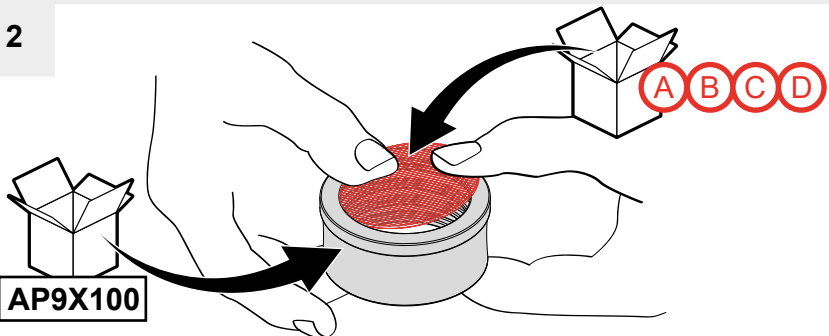
AP9X100



+



2



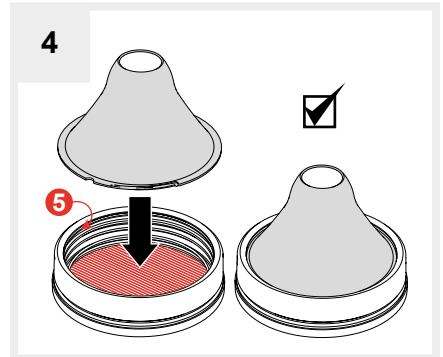
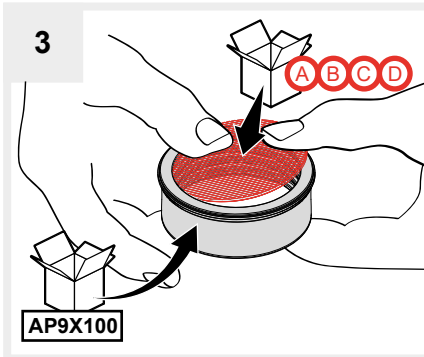
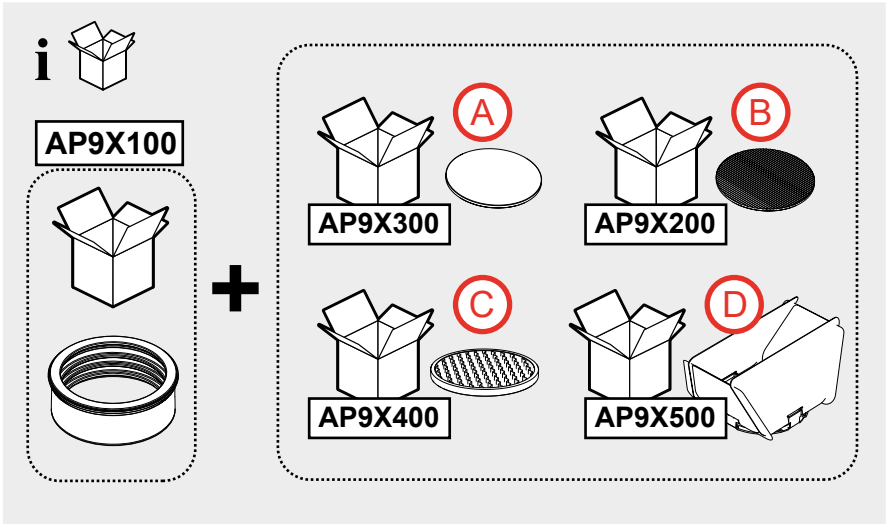
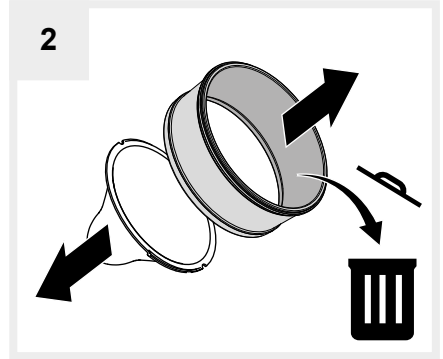
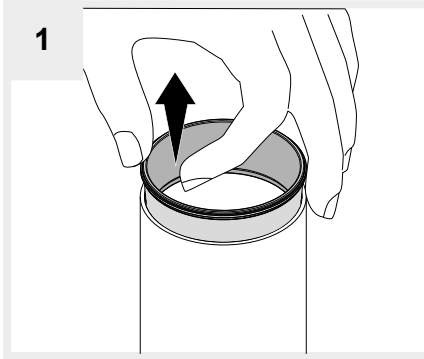
# VECTOR 40 ACCESSORIES

**i**

|   | A | B | C | D |
|---|---|---|---|---|
| 1 |   |   |   | • |
| 2 | • | • | • |   |
| 3 | • | • |   |   |
| 4 | • | • |   |   |


**3**

# VECTOR 55 ACCESSORIES



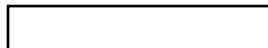
# VECTOR 55 ACCESSORIES

**i**

|   | A | B | C | D |  |
|---|---|---|---|---|---|
| 1 |   |   |   | • |   |
| 2 | • | • | • |   |   |
| 3 | • | • |   |   |   |
| 4 | • | • |   |   |   |
| 5 |   |   |   |   | •   |

**5**

# Artemide®



## **Artemide**

via Bergamo, 18  
20006 Pregnana M.se (MI)  
ITALIA

tel. +39 02 935 181  
fax +39 02 935 90 254  
fax +39 02 935 90 496

[www.artemide.com](http://www.artemide.com)

VAT IT00846890150

## **Artemide Inc.**

250 Karin Lane  
Hicksville, NY 11801

tel. 631 694 9292  
Toll Free 1-877-Art-9111  
Fax 631 694 9275

[www.artemide.net](http://www.artemide.net)

## **Artemide Ltée/Ltd.**

11105 rue Renaude Lapointe  
Montréal, Québec H1J 2T4

Tel. 514 323 6537  
Toll Free 888 777 2783  
Fax 514 323 8864

[www.artemide.net](http://www.artemide.net)

cod. Y513001518D