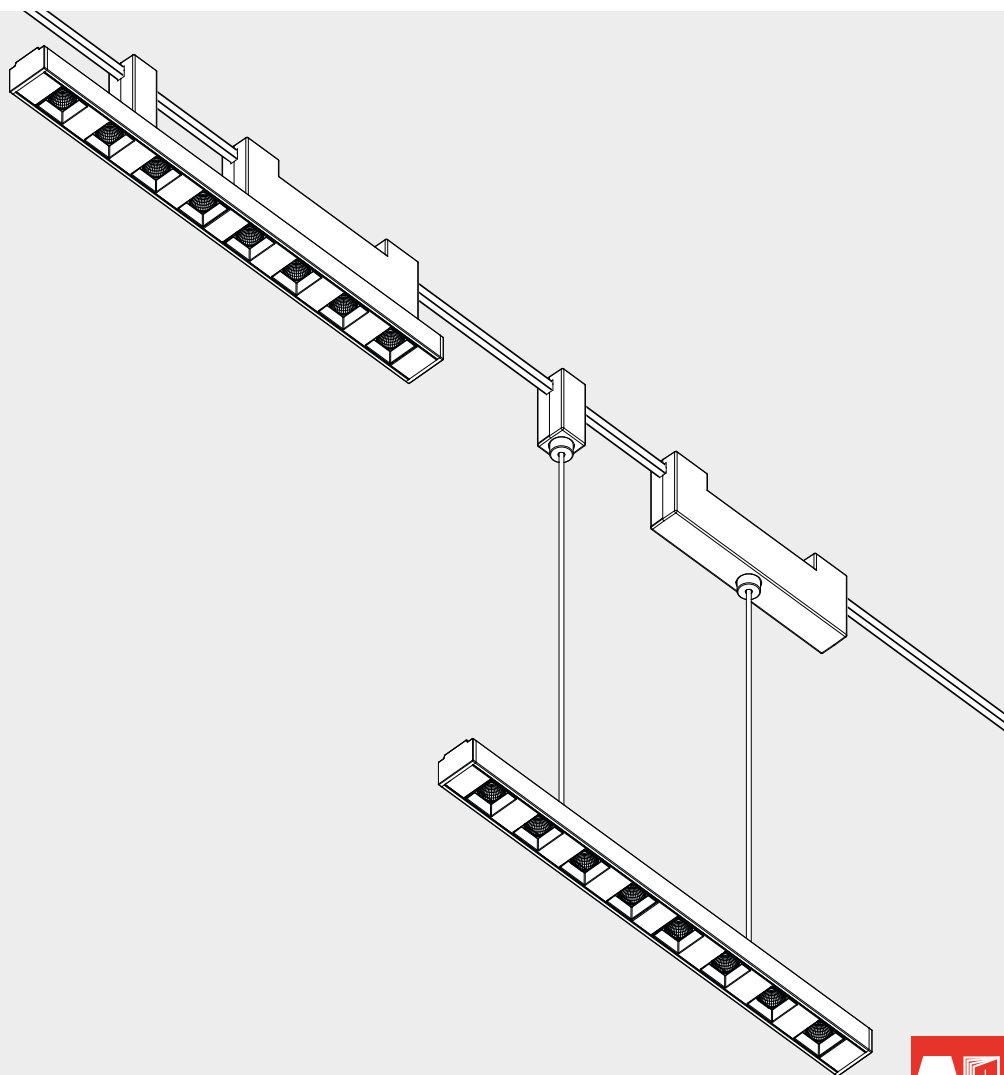


Artemide®

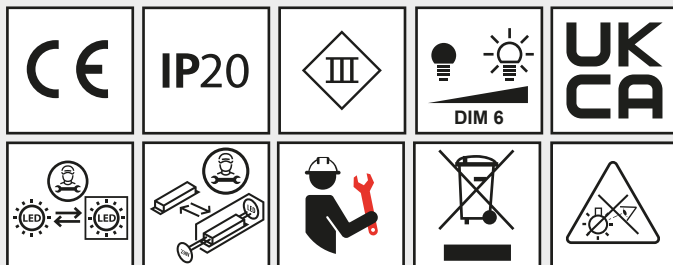
SHARPING 8 / 12 FUNIVIA SHARPING 8 / 12 PENDANT FUNIVIA

design
Carlotta de Bevilacqua

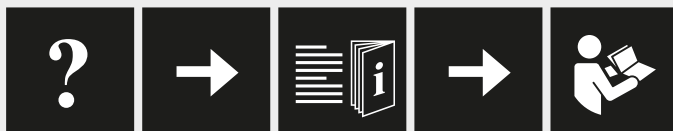




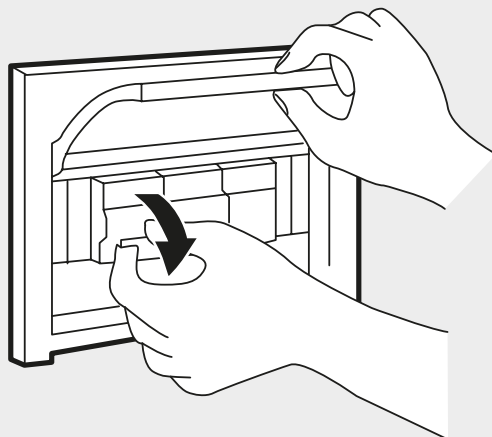
i



	LED1 from Dthr (m)		
	2700K	3000K	4000K
FL	0,5	0,5	0,6
XF	0,3	0,3	0,4

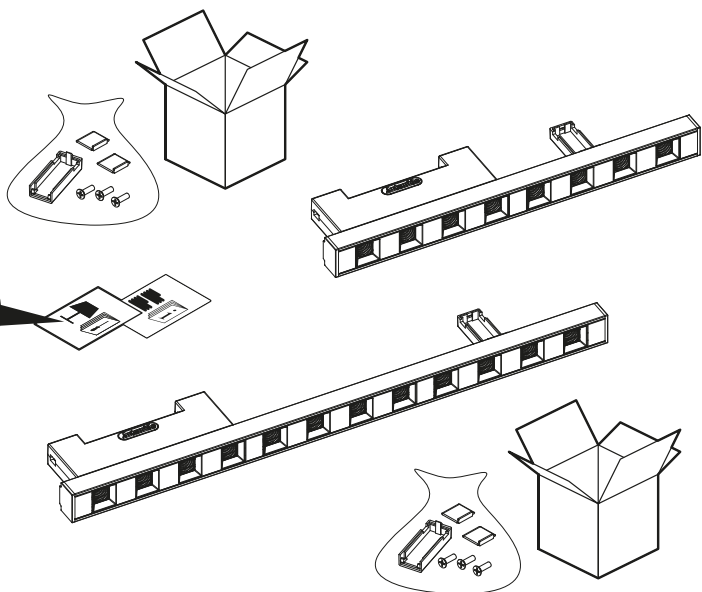


Artemide App
Quick Starting Guide

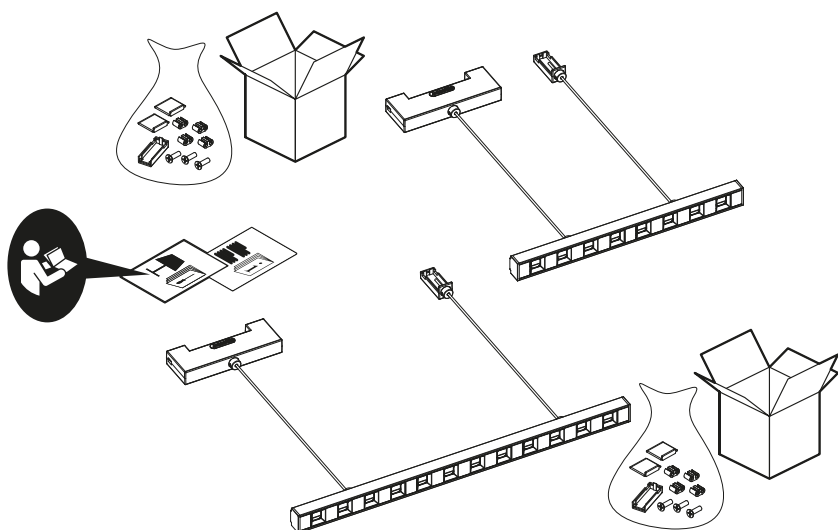




A Sharping 8 / 12 Funivia



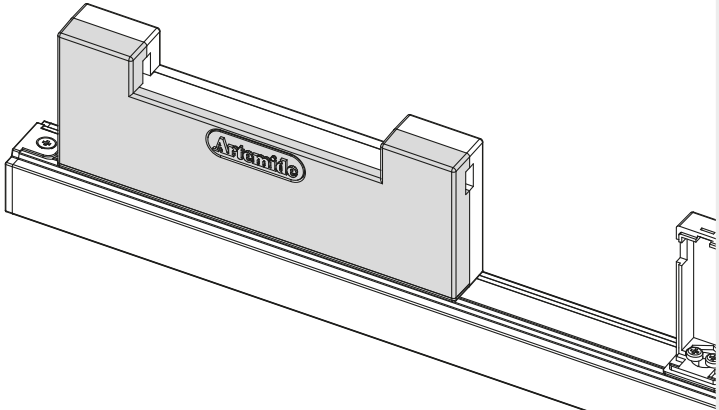
B Sharping 8 / 12 Pendant Funivia



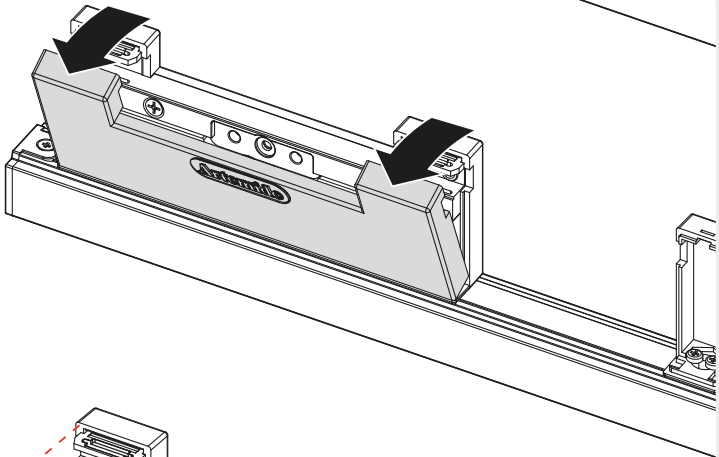
	POWER KIT TYPOLOGY	POWER [W]	SHARPING 8/12 FUNIVIA		SHARPING 8/12 PENDANT FUNIVIA		
			APP	PUSH	APP	PUSH	
REST OF THE WORLD	RECESSED SUSPENSION	150	x	x	x	x	
		240	x	x	x	x	
		320	x	x	x	x	
	RECESSED CEILING	150	x	x	x	x	
		240	x	x	x	x	
		320	x	x	x	x	
	SMD	150	x	x	x	x	
		240	x	x	x	x	
	REMOTE	240	x	x	x	x	
		320	x	x	x	x	
	US/CA	RECESSED SUSPENSION	100	x		x	
			150		x		x
RECESSED CEILING		100	x		x		
		150		x		x	
SMD		100	x		x		
		240		x		x	
REMOTE		100	x		x		
		150		x		x	
WALL/SMD REMOTE		100	x		x		
		240		x		x	
		320		x		x	

1

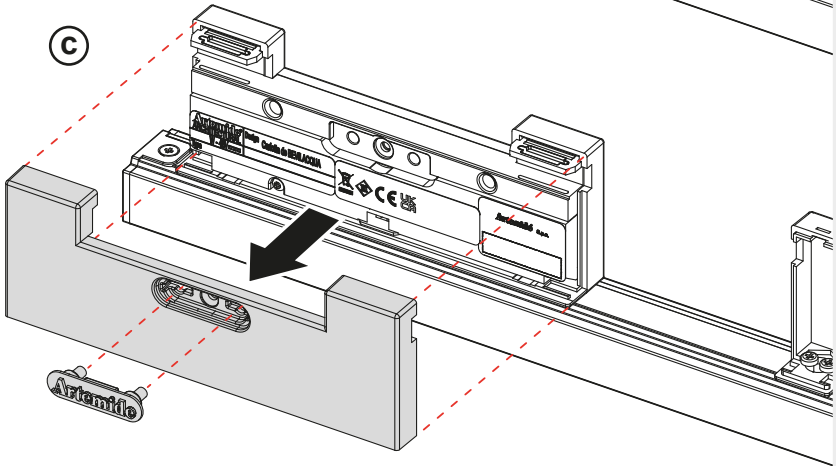
a



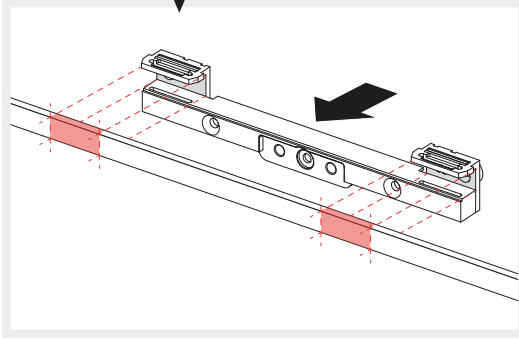
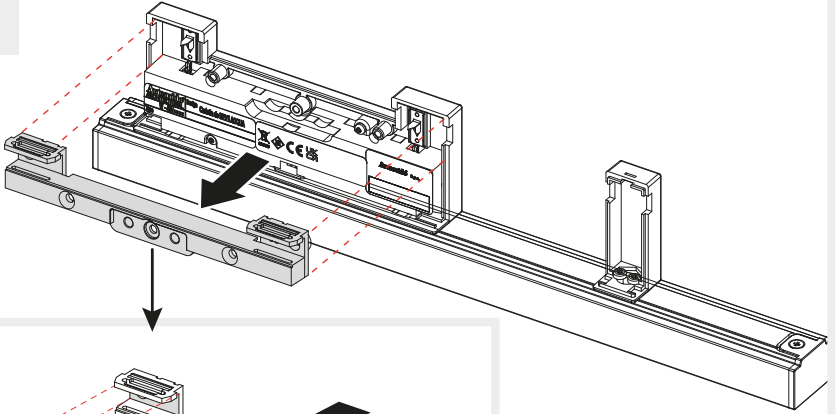
b



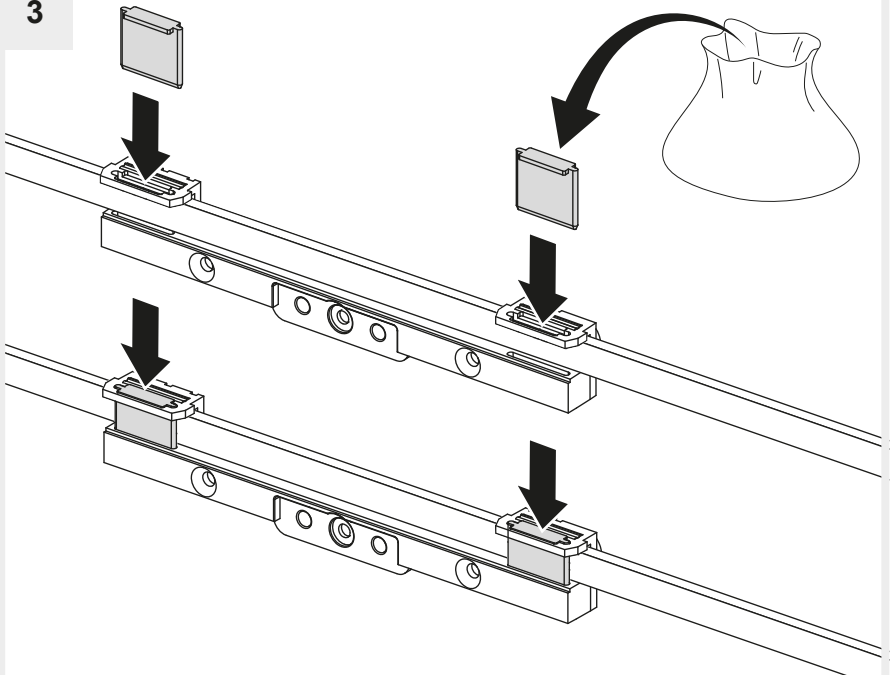
c



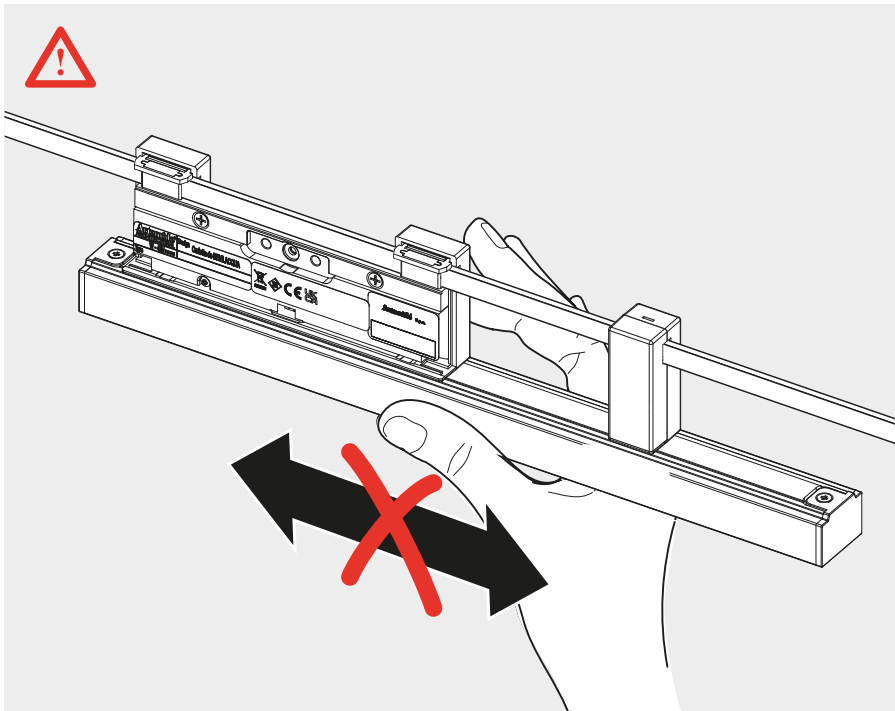
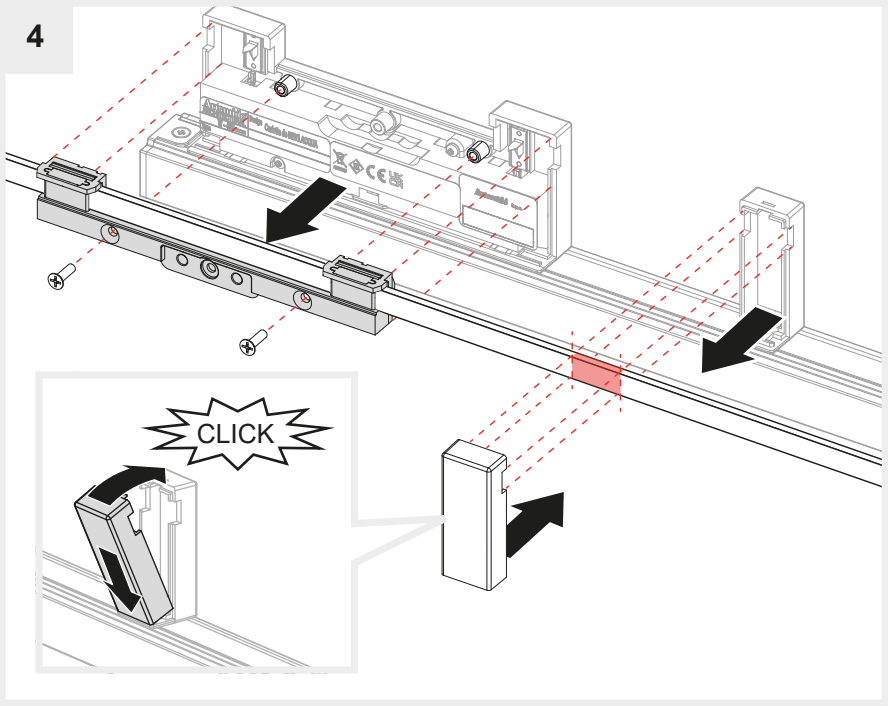
2



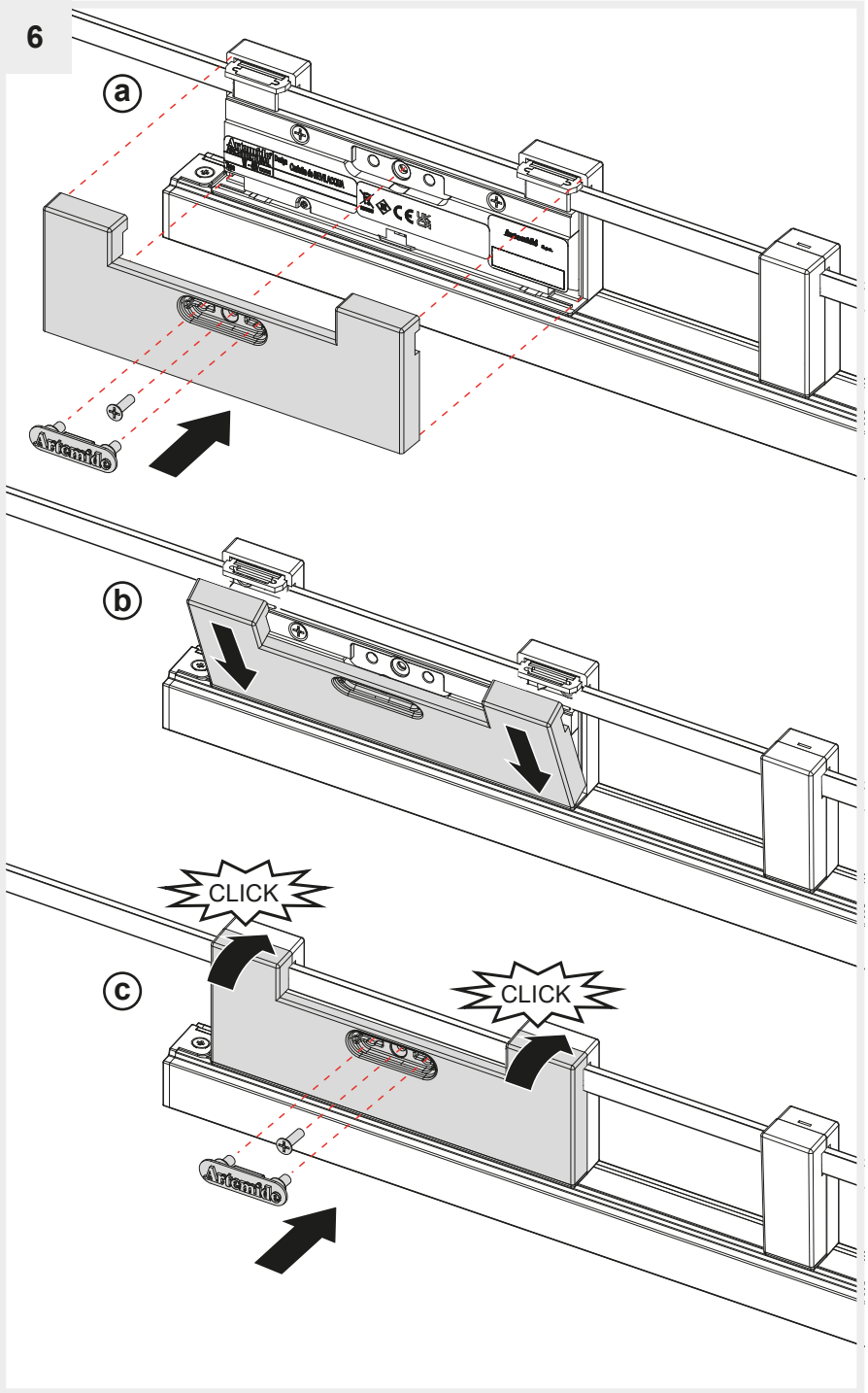
3



4

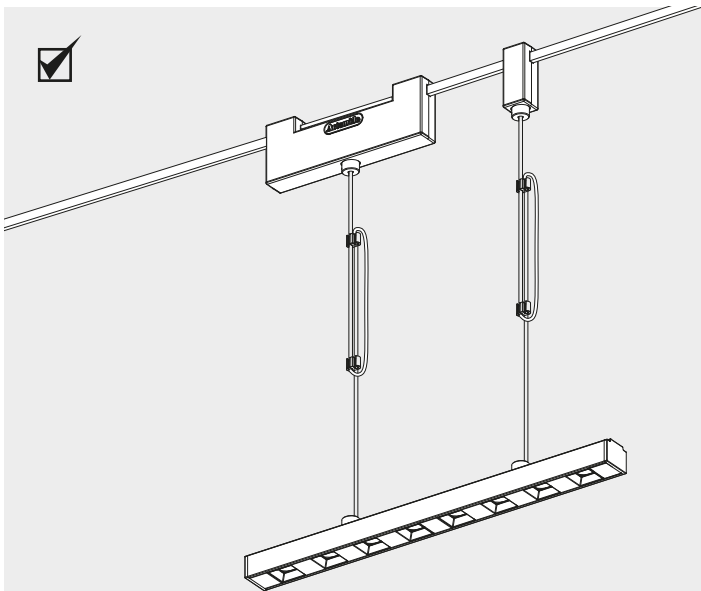
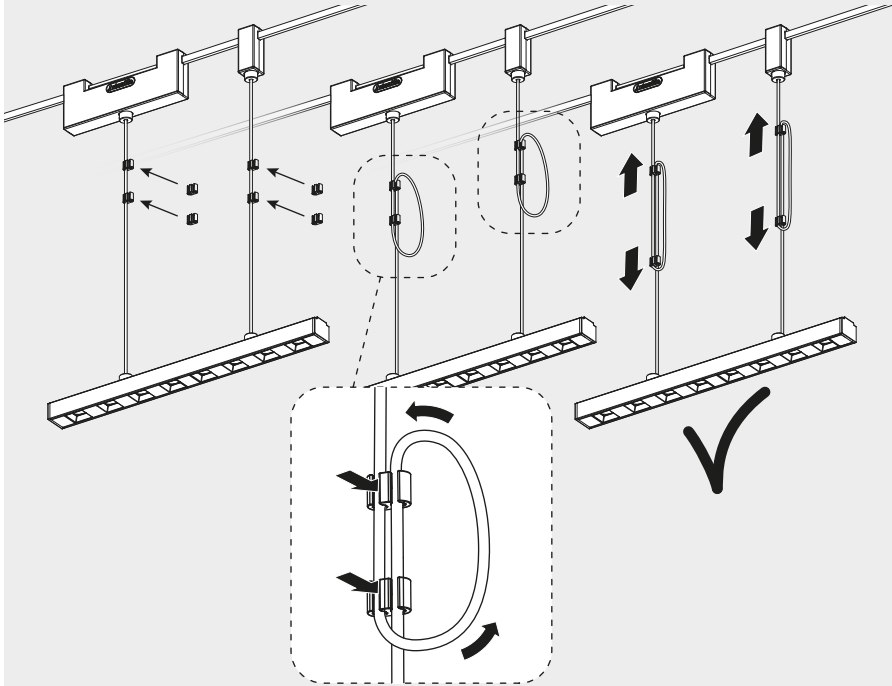


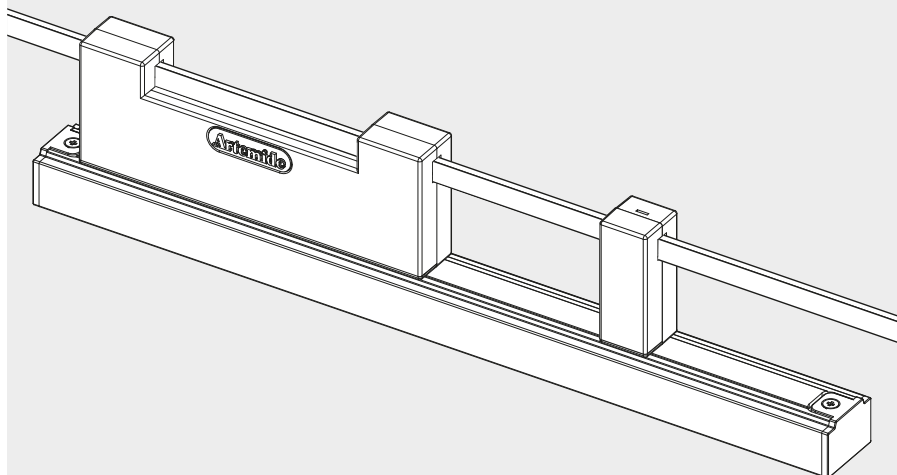
6



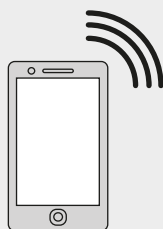
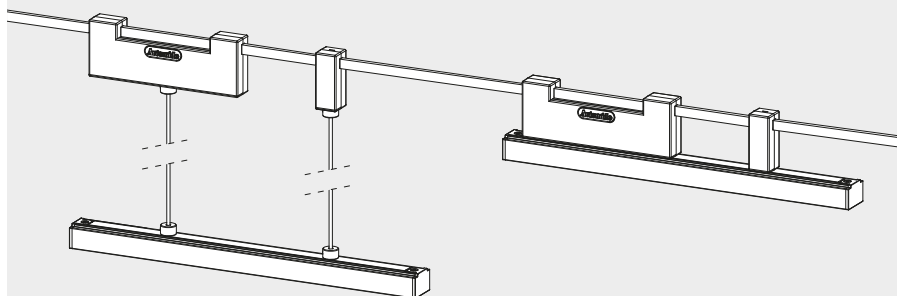
i

Only for Sharping 8 / 12 Pendant Funivia





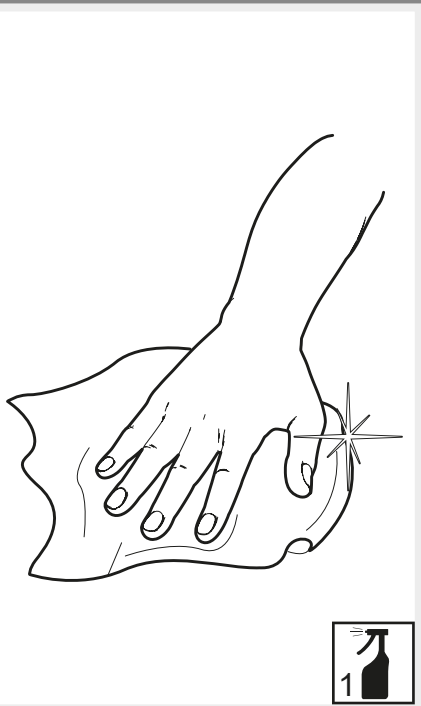
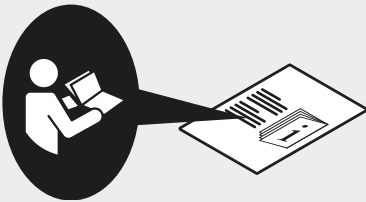
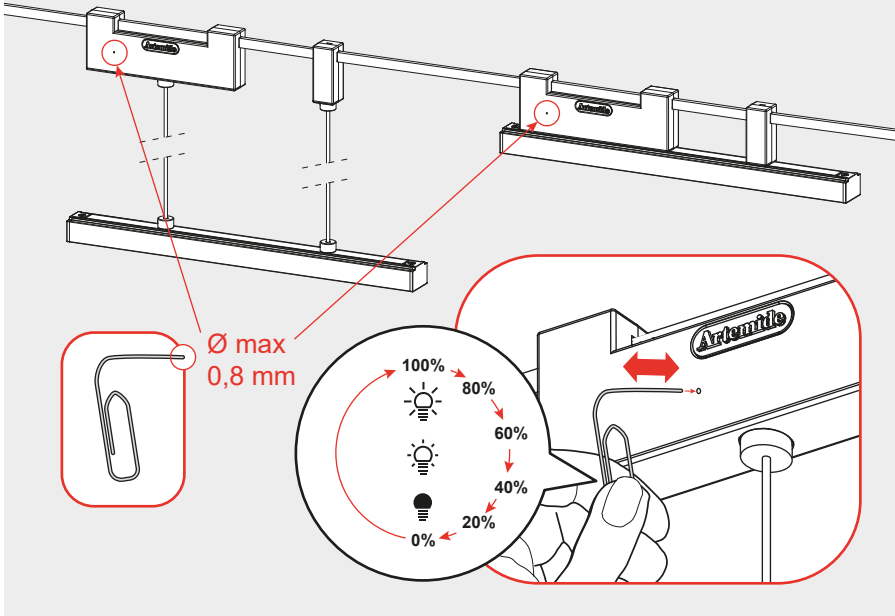
Only for APP versions



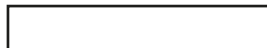
Artemide App
Starting Guide



Only for PUSH DIMM versions



Artemide®



Artemide

via Bergamo, 18
20006 Pregnana M.se (MI)
ITALIA

tel. +39 02 935 181
fax +39 02 935 90 254
fax +39 02 935 90 496

www.artemide.com

VAT IT00846890150

Artemide Inc.

250 Karin Lane
Hicksville, NY 11801

tel. 631 694 9292
Toll Free 1-877-Art-9111
Fax 631 694 9275

www.artemide.net

Artemide Ltée/Ltd.

11105 rue Renaude Lapointe
Montréal, Québec H1J 2T4

Tel. 514 323 6537
Toll Free 888 777 2783
Fax 514 323 8864

www.artemide.net

cod. Y513001519D