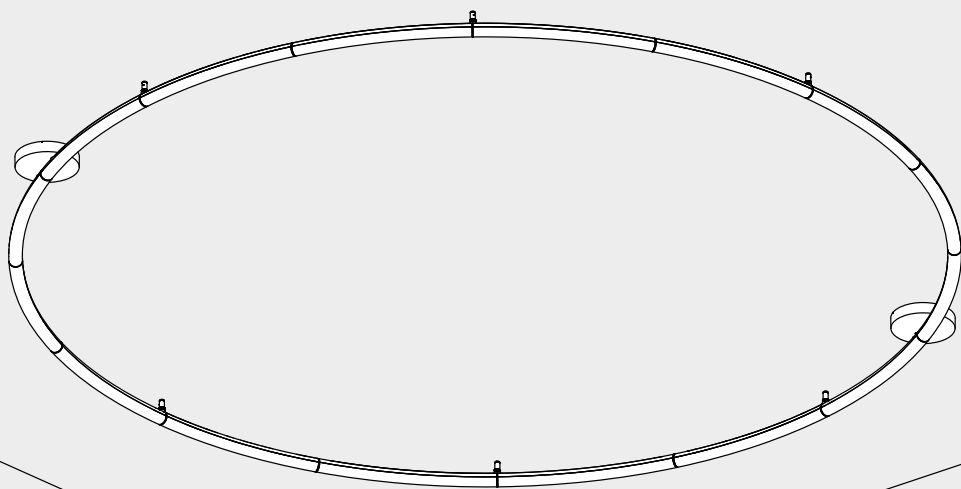


# Artemide®

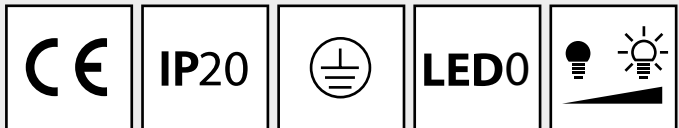
## ALPHABET OF LIGHT CIRCULAR 350 WALL-CEILING

design  
BIG

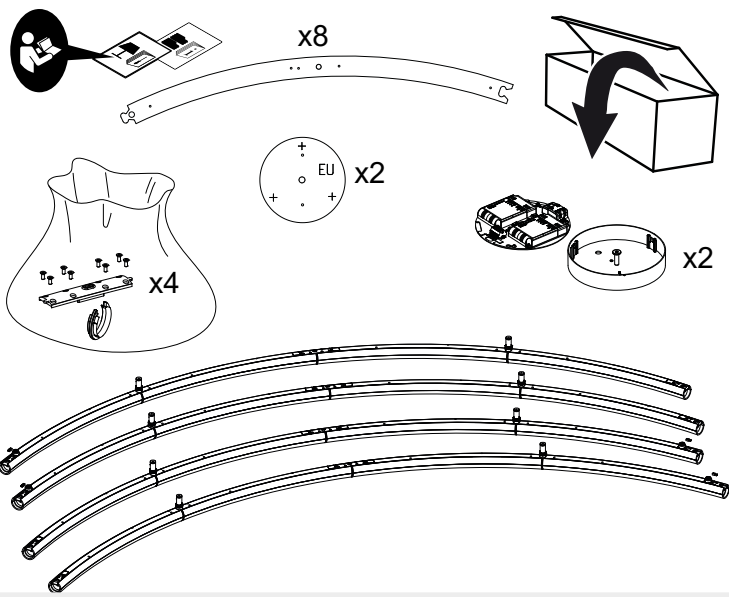


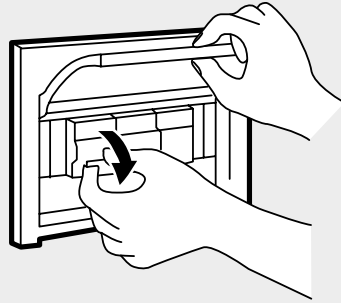
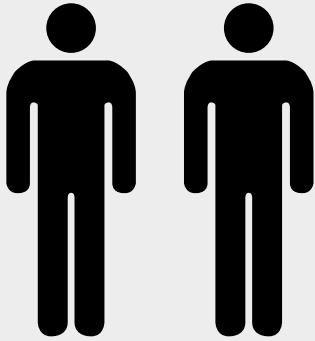


i

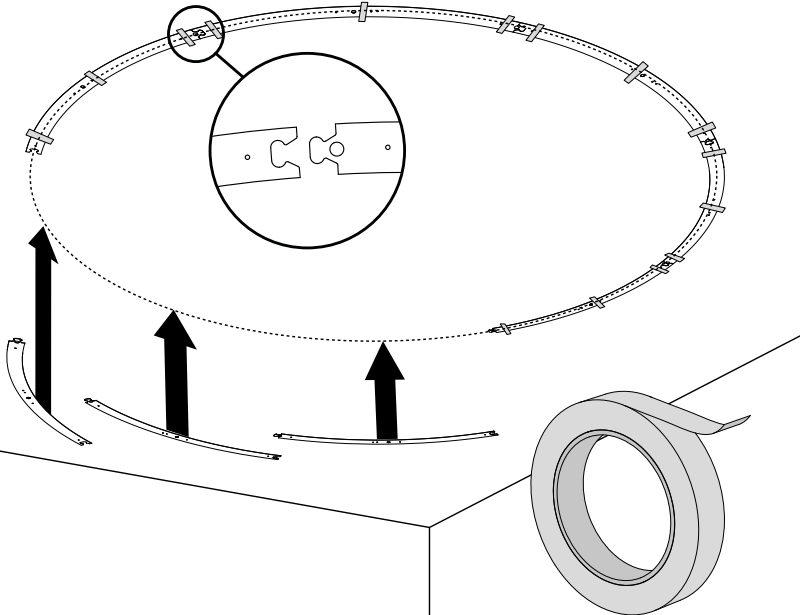


Artemide App  
Quick Starting Guide

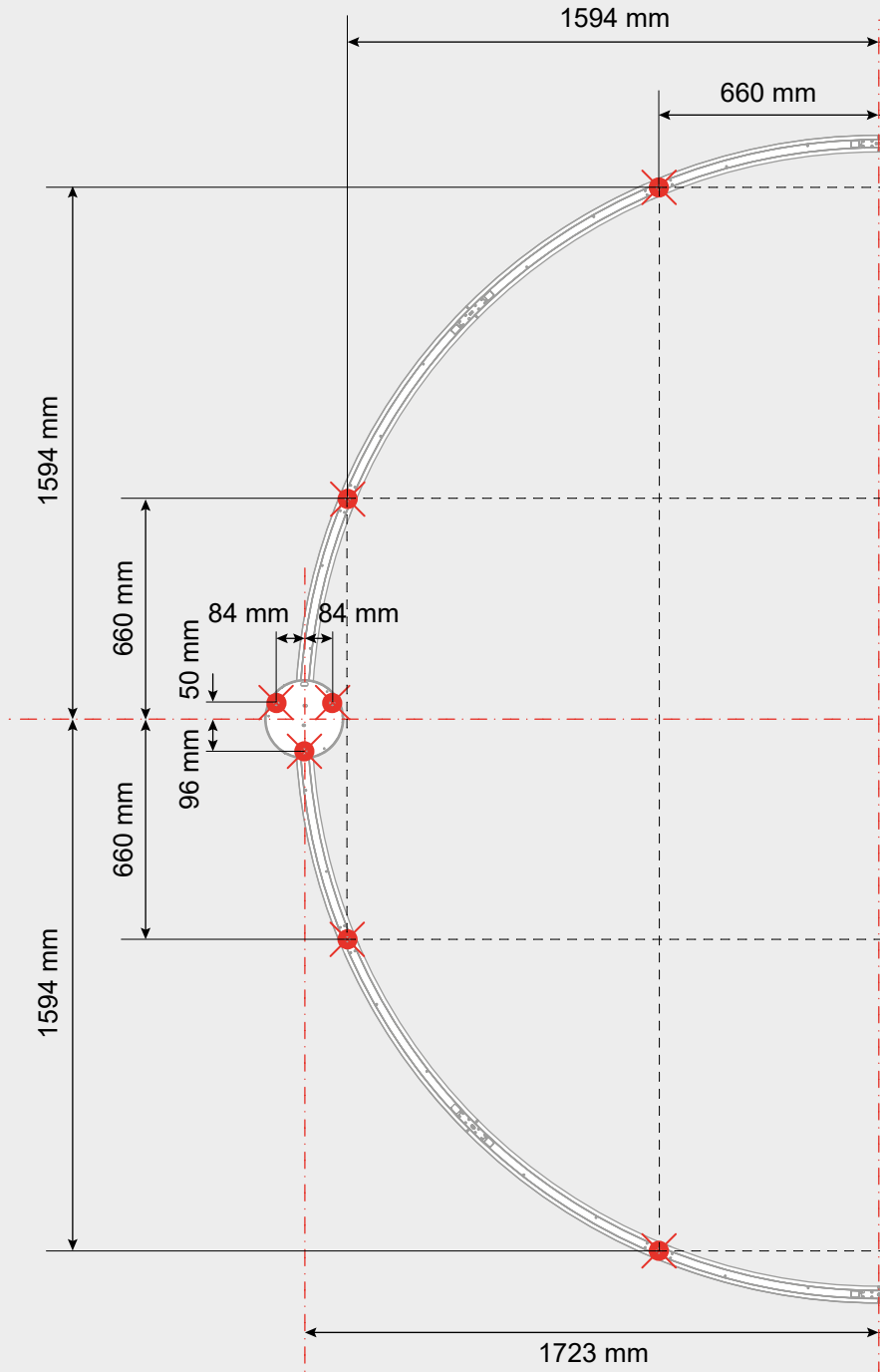


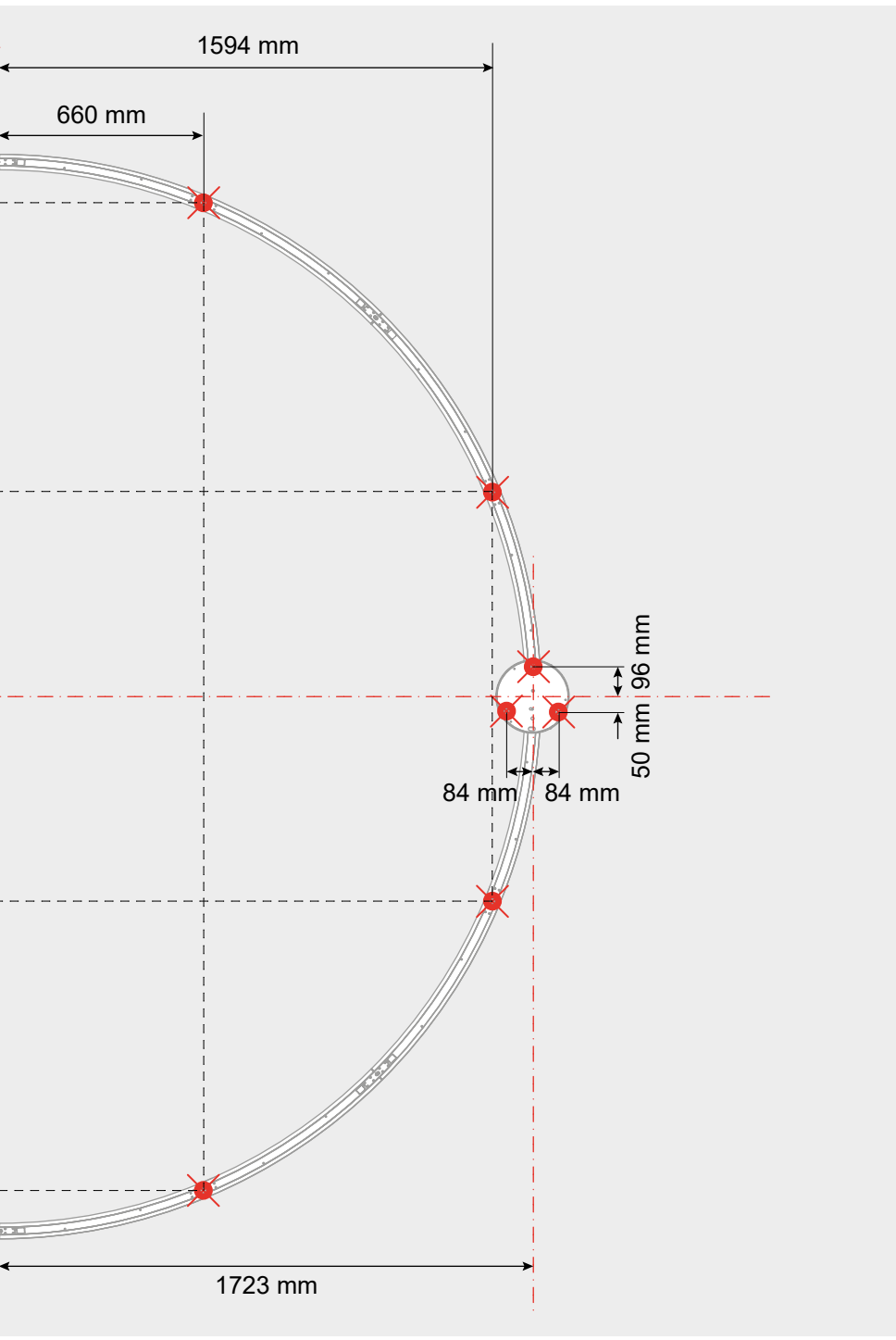


1

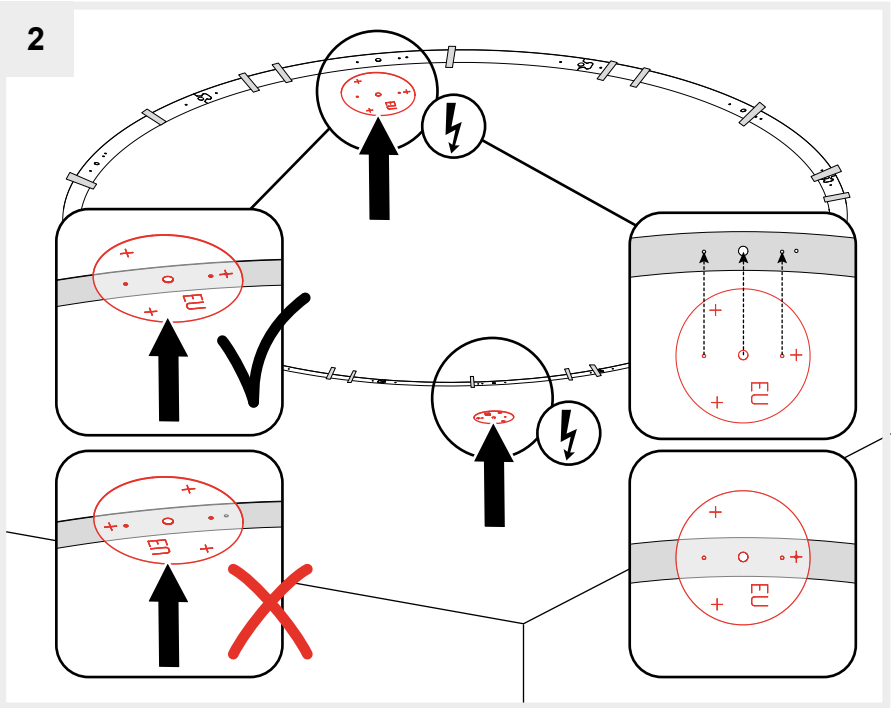


**i**

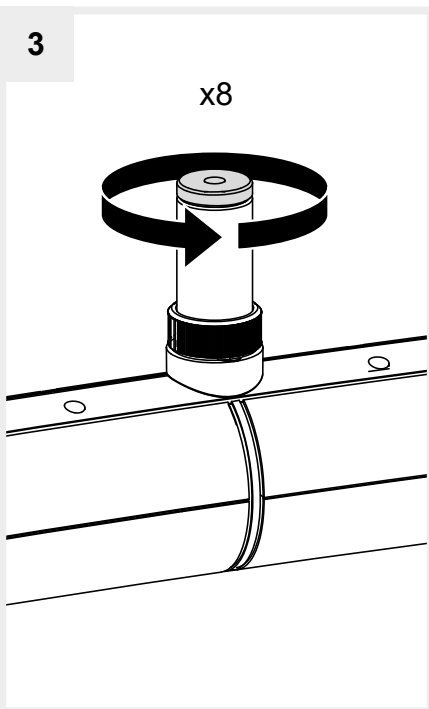




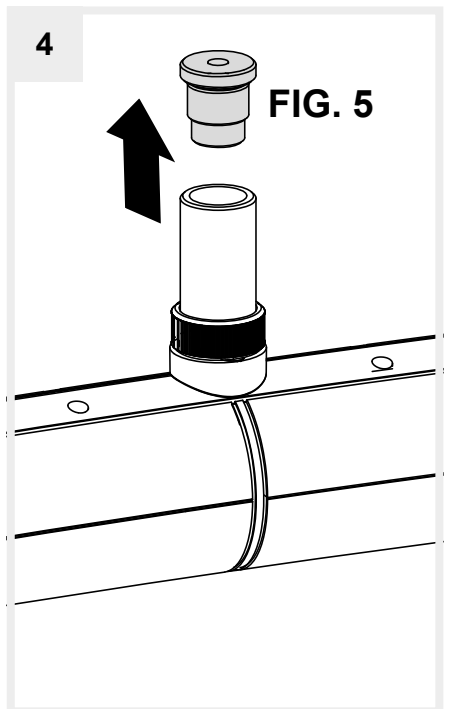
2



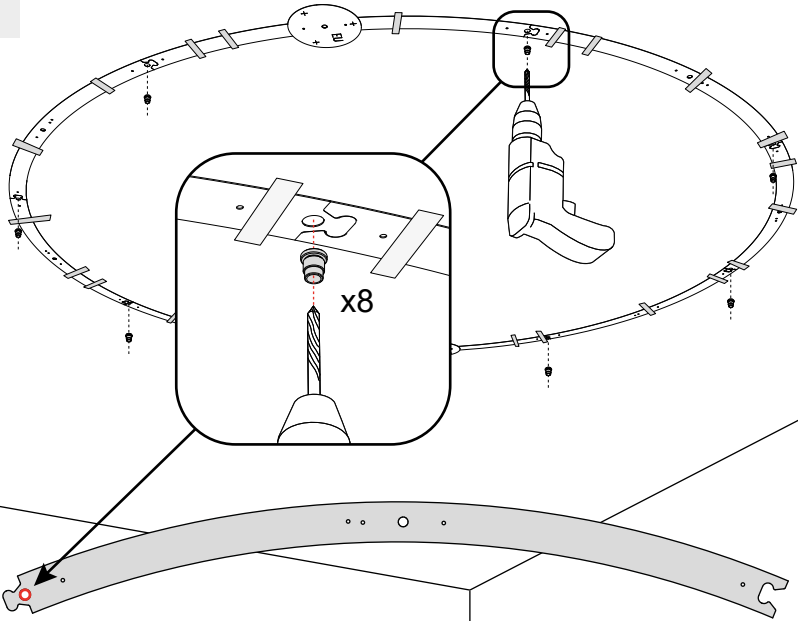
3



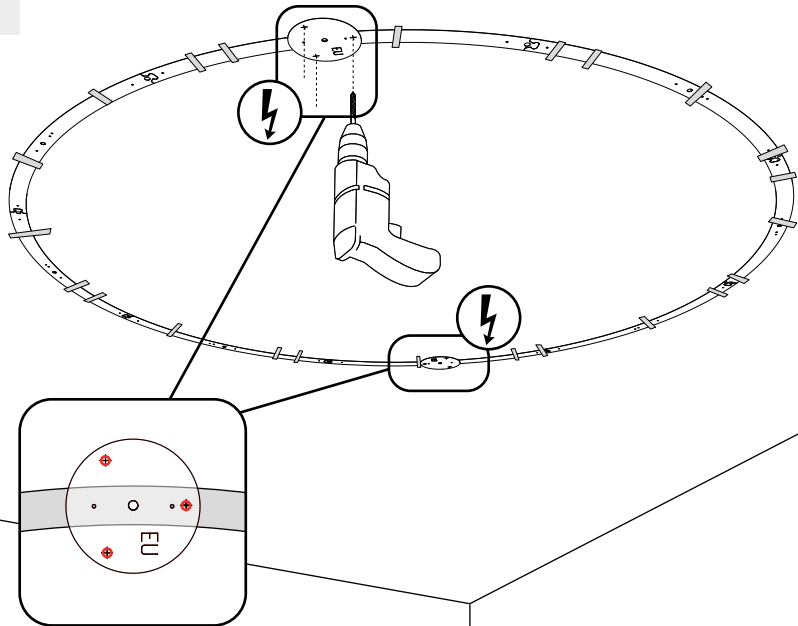
4



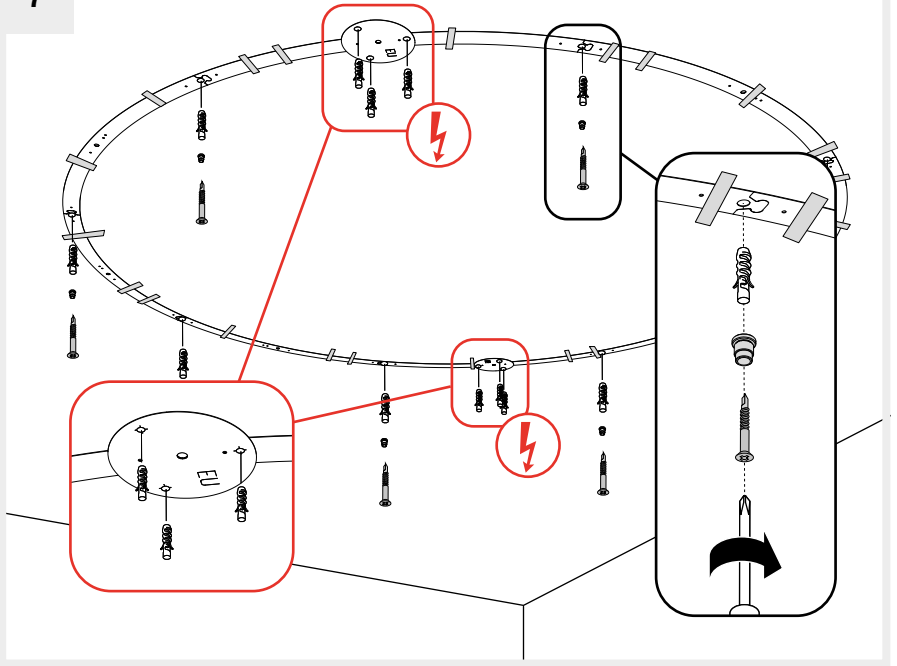
5



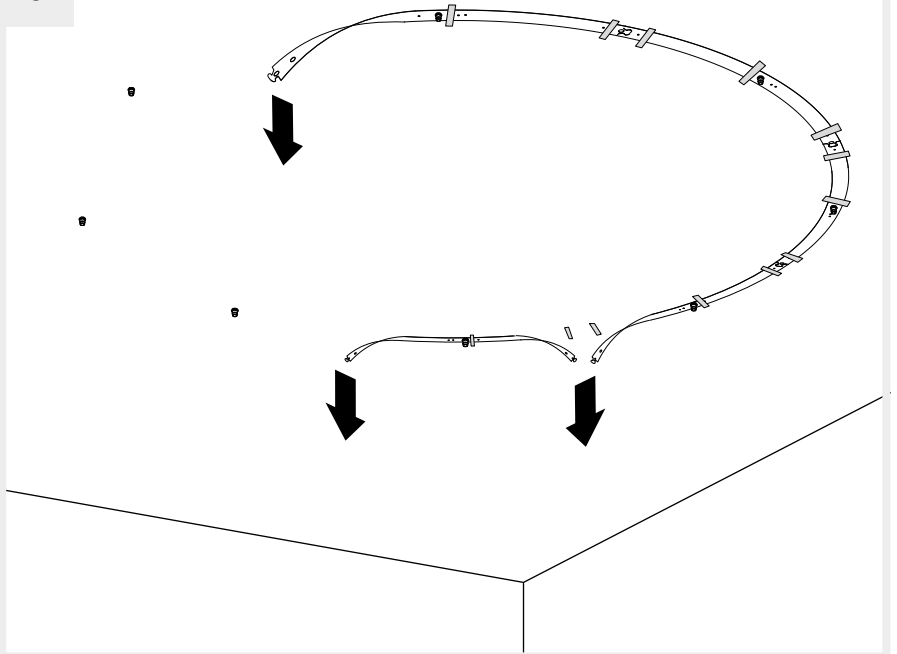
6



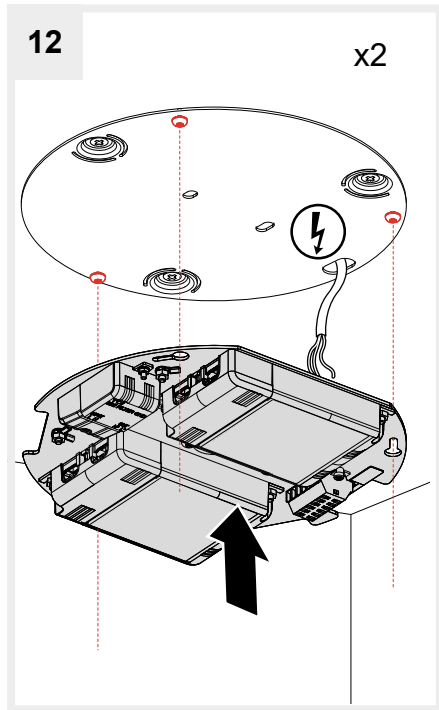
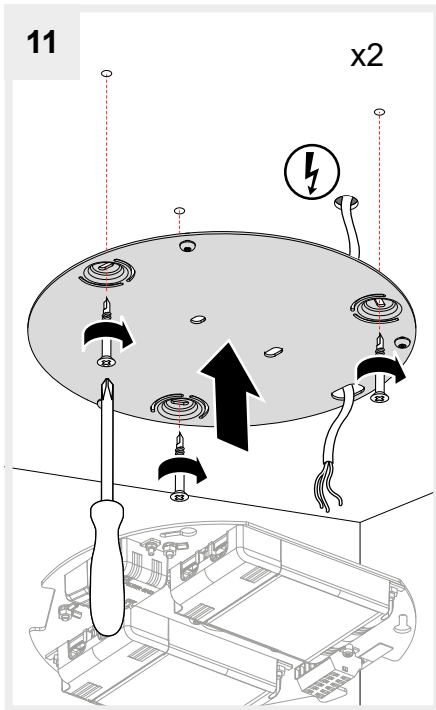
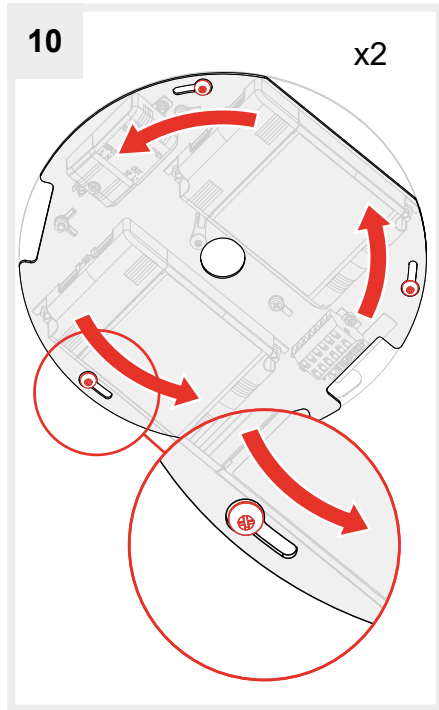
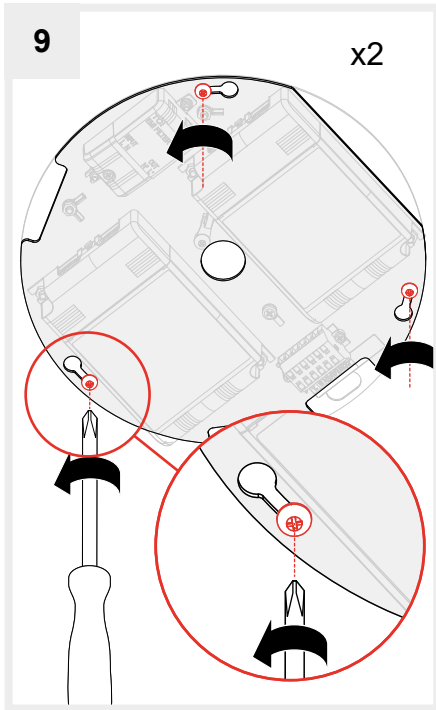
7



8

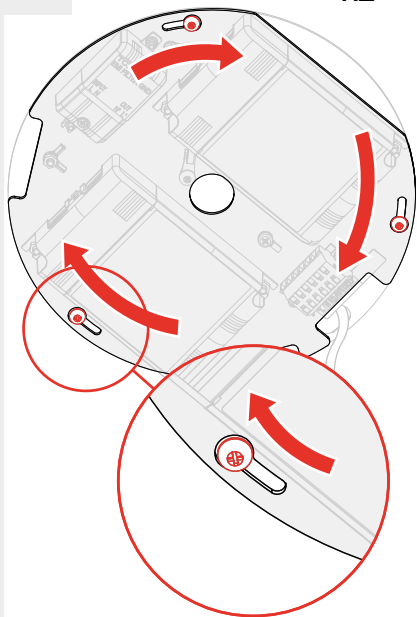






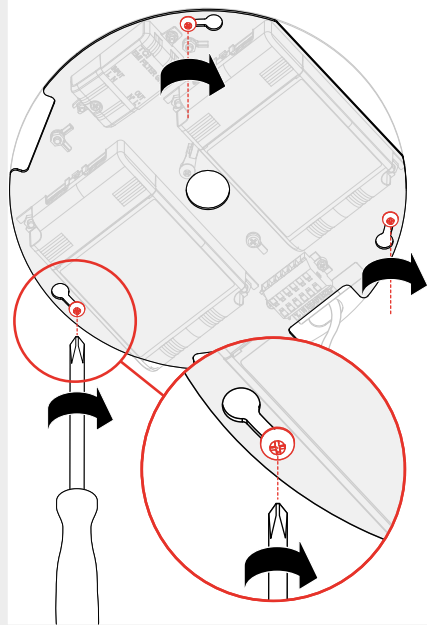
13

x2

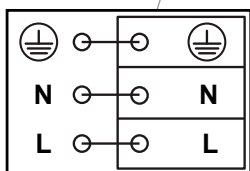
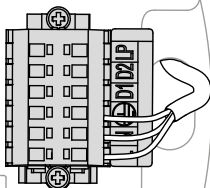


14

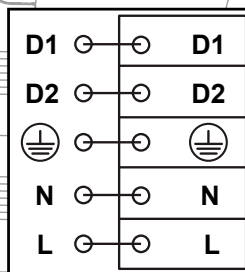
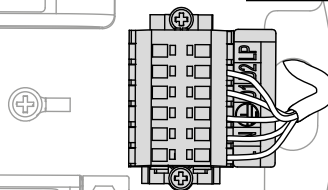
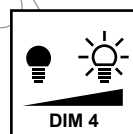
x2



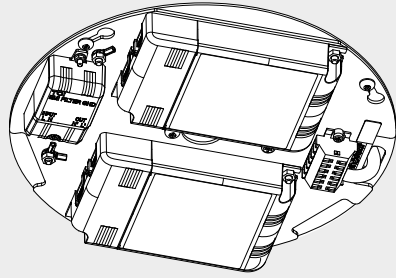
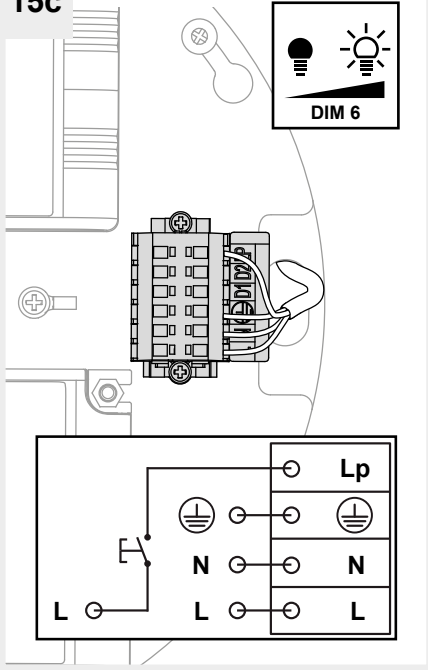
15a



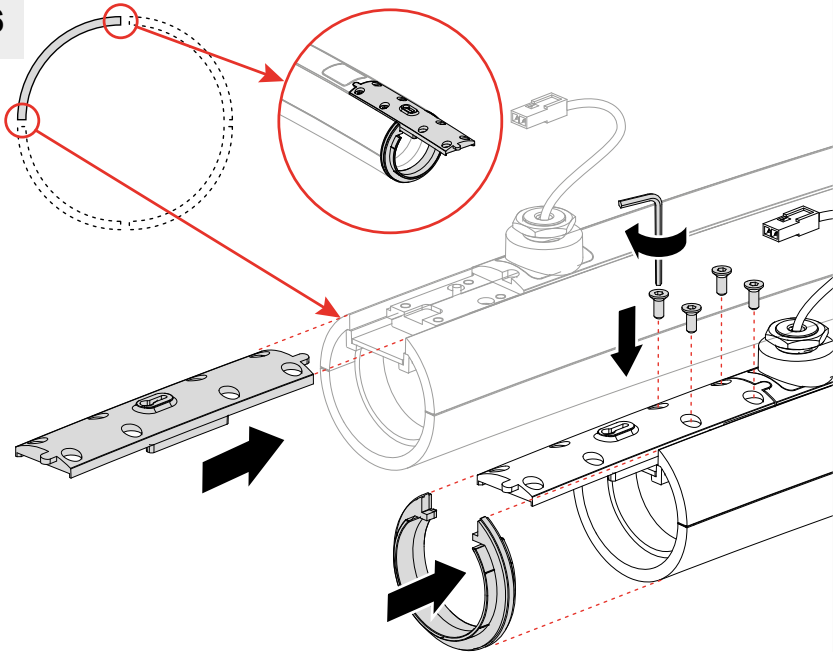
15b



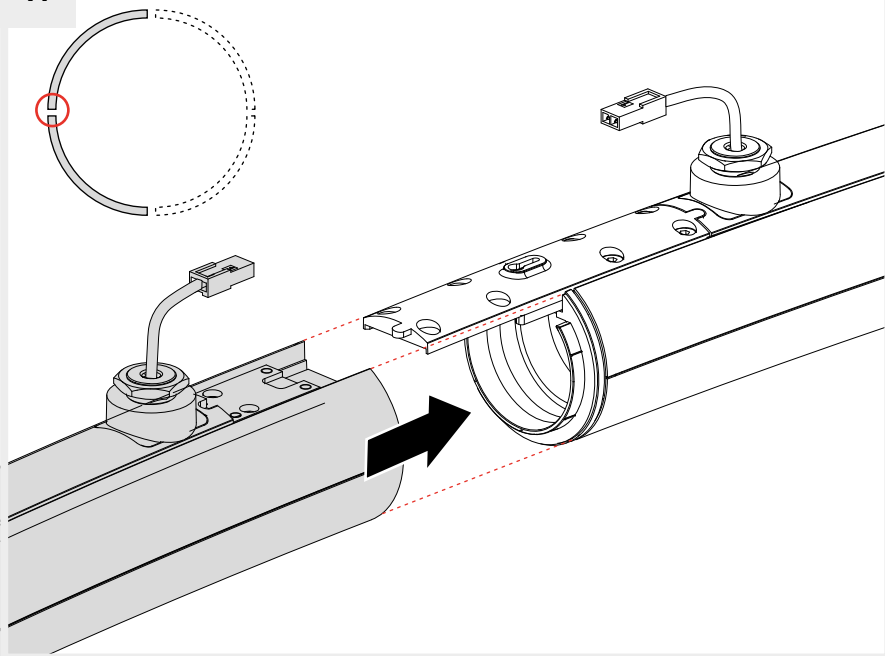
15c



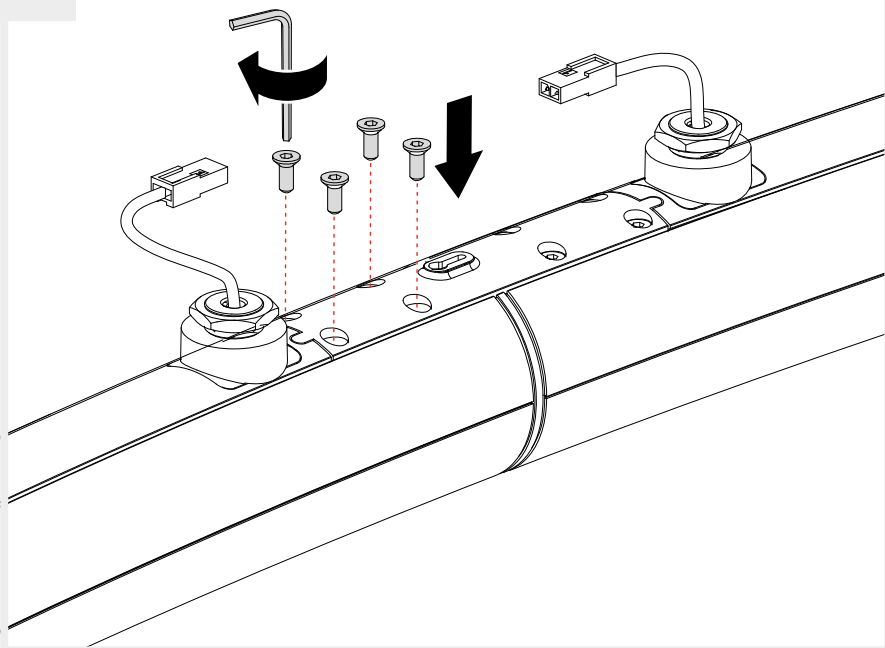
16



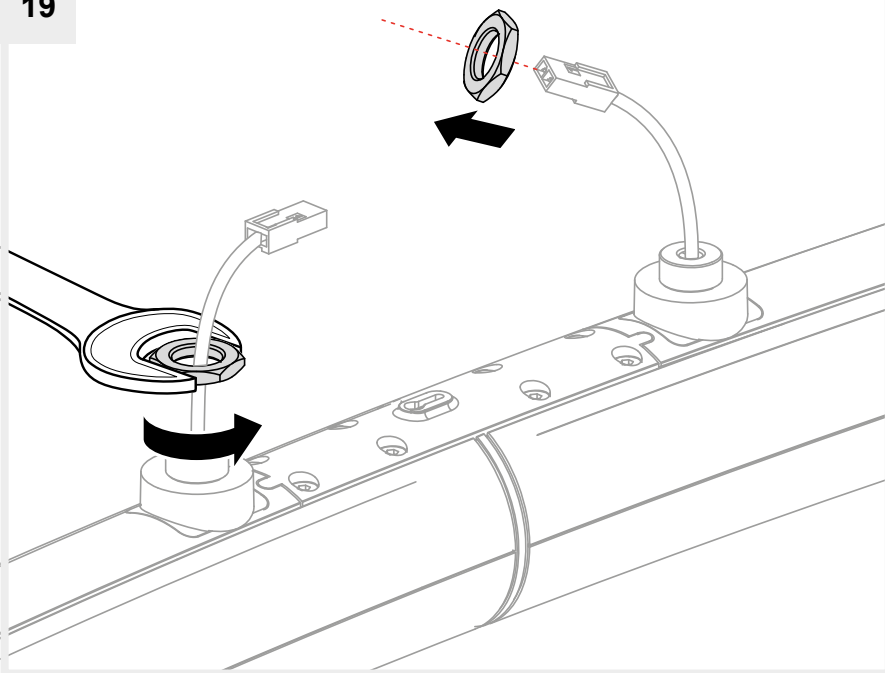
17



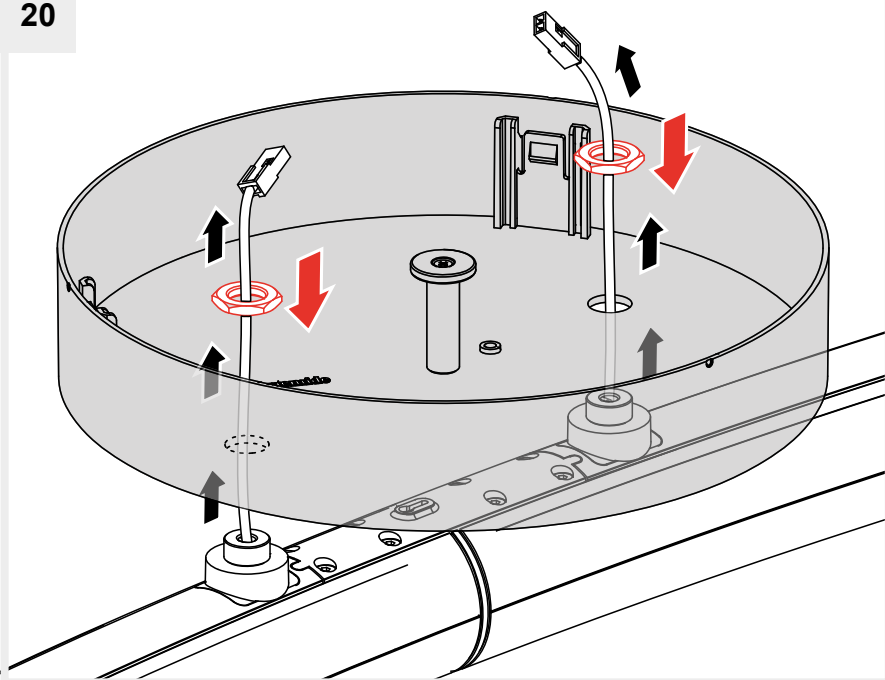
18

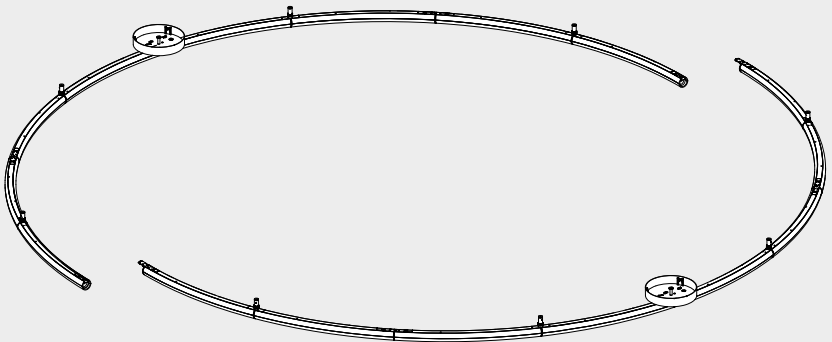
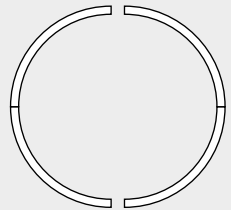
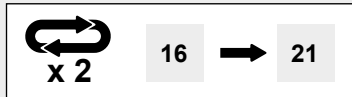
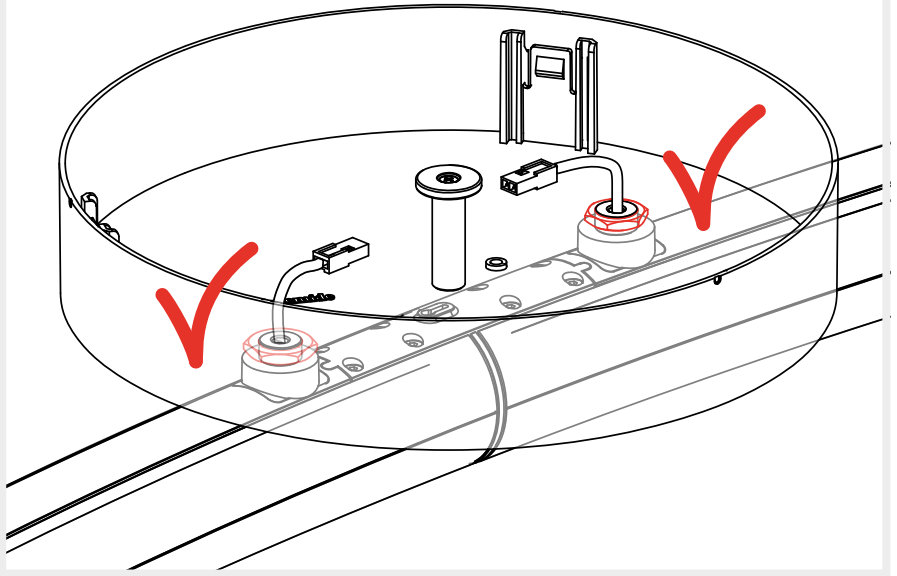


19

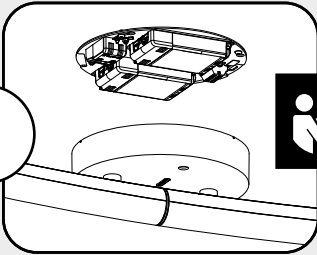
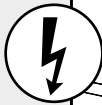
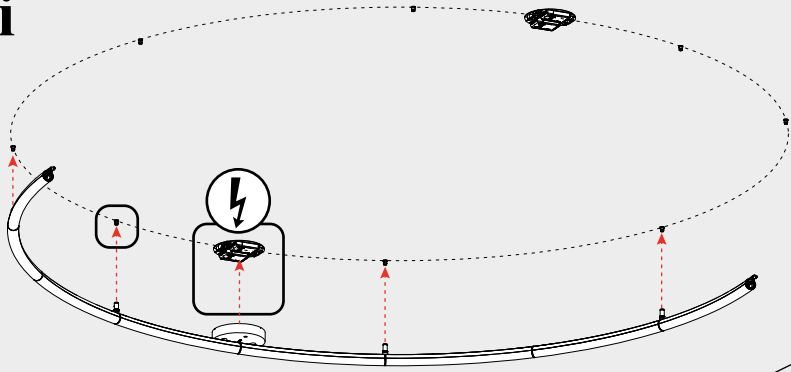


20

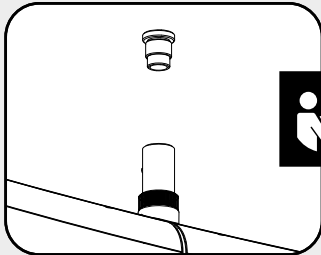




**i**

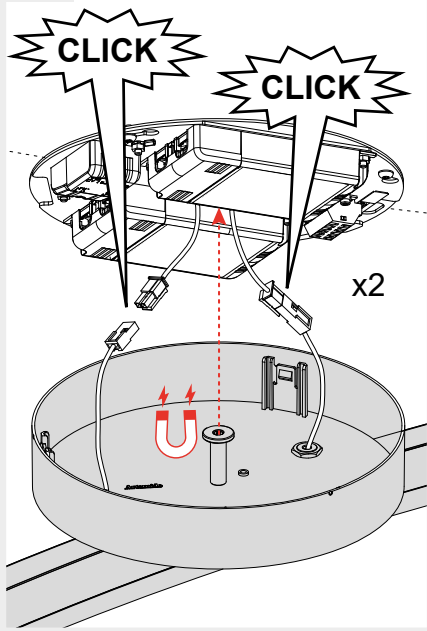


22 → 23

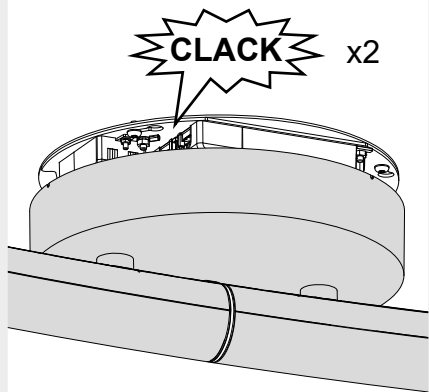


24 → 27

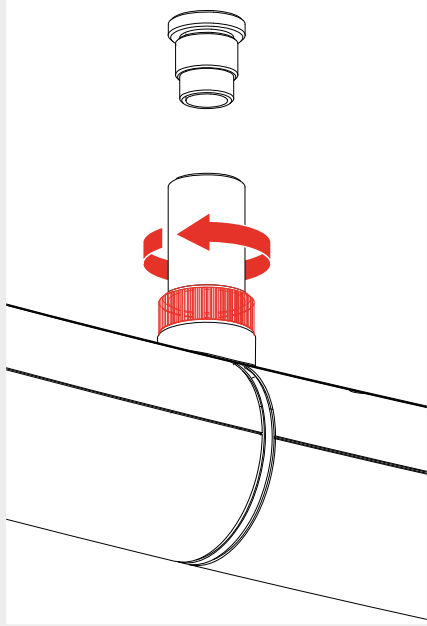
22



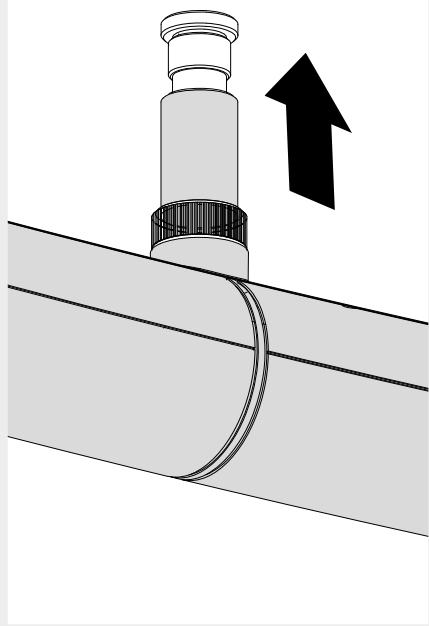
23



24

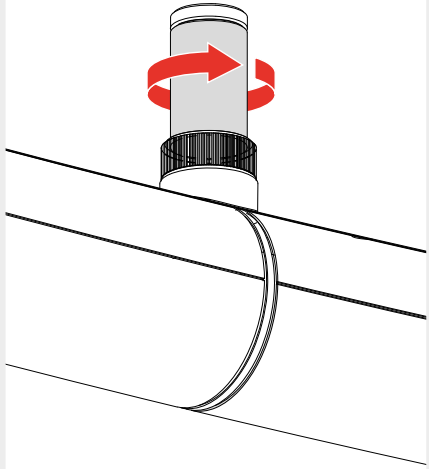


25

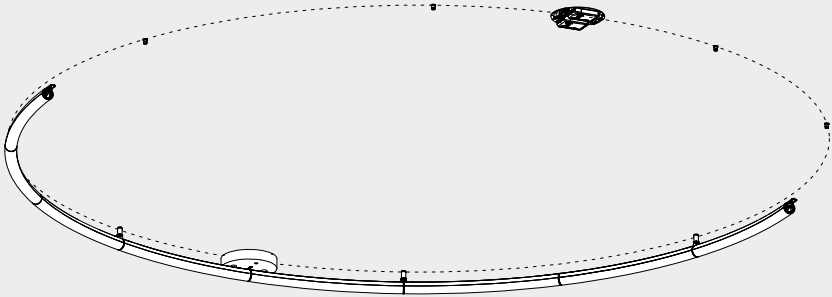
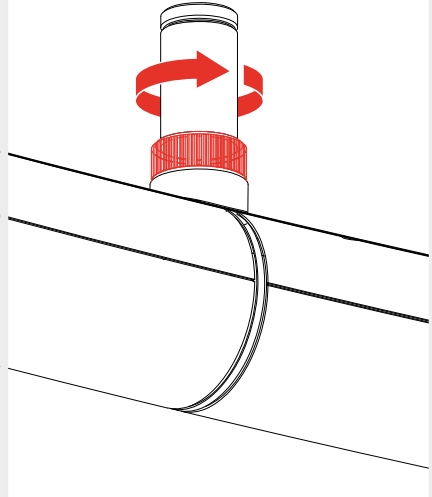




26



27

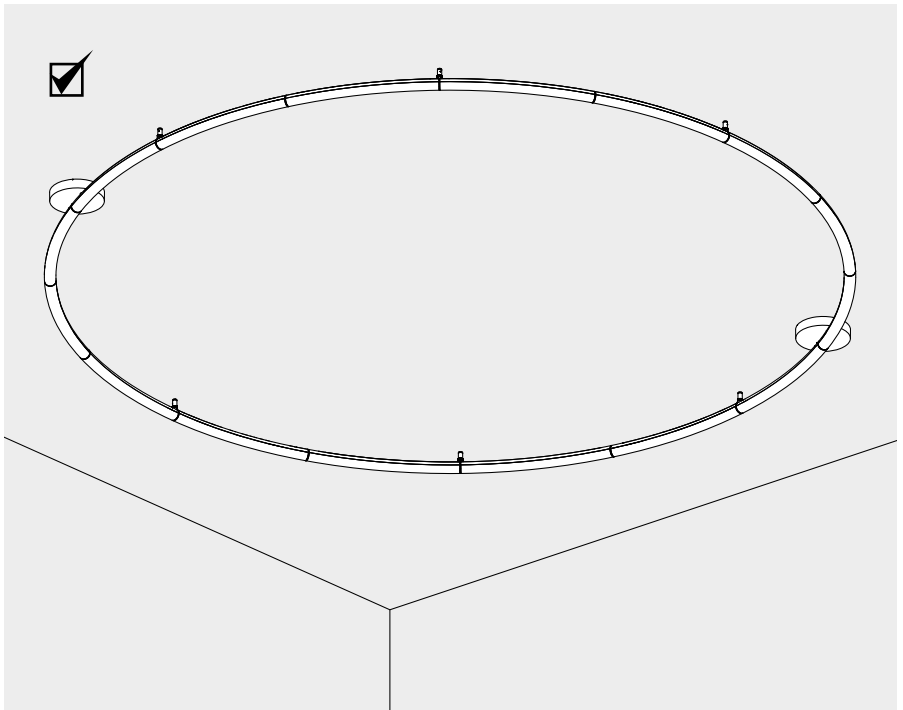
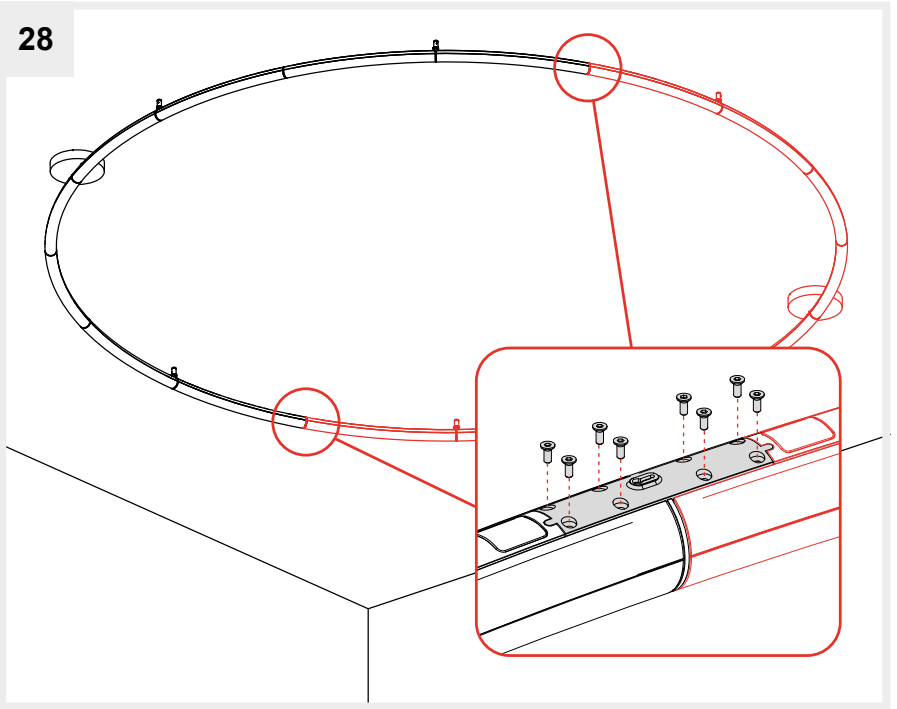


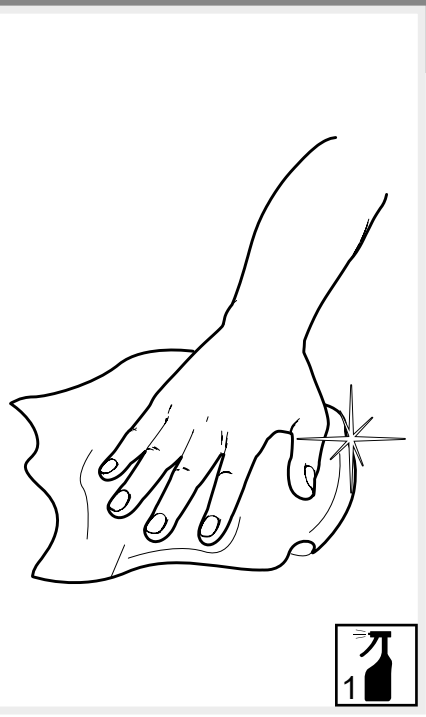
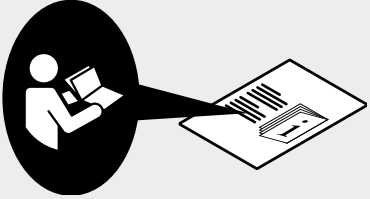
16



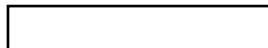
27

28





**Artemide®**



**Artemide**

via Bergamo, 18  
20006 Pregnana M.se (MI)  
ITALIA

tel. +39 02 935 181  
fax +39 02 935 90 254  
fax +39 02 935 90 496

[www.artemide.com](http://www.artemide.com)

VAT IT00846890150

cod. Y513001969A